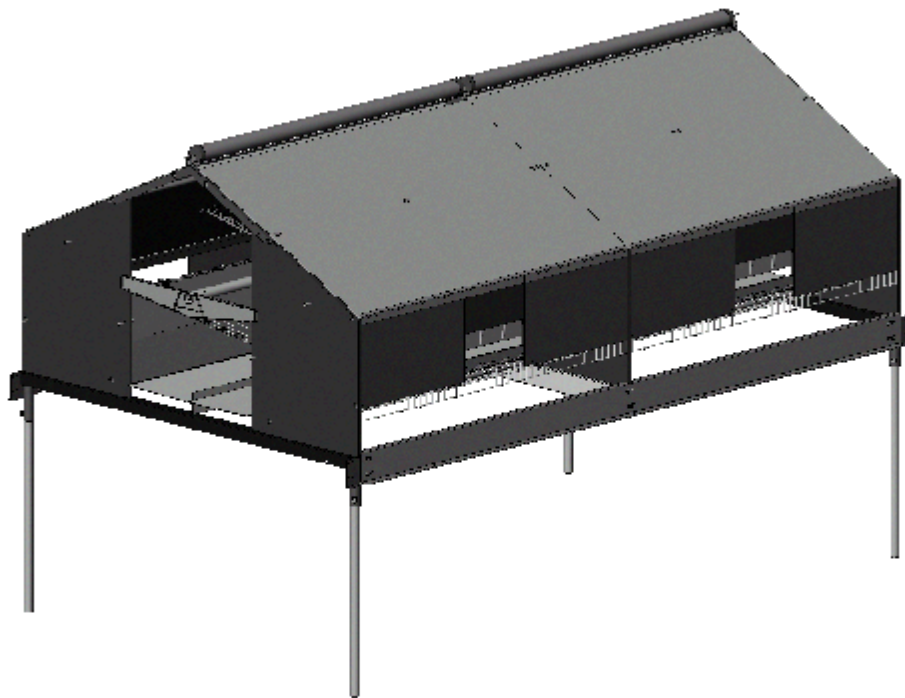


Installation Manual

€asy nest



© 2006 Vencomatic[®] B.V. – The Netherlands

All rights reserved.

The provided information can in no way be reproduced and/or published, in any form or by any means (electronic or mechanical), without prior written permission from Vencomatic[®] B.V.

The provided information is based on general data concerning the -at the time of the release known- constructions, material characteristic and work methods, so changes are reserved.

The provided information is valid for the product in the standard type. Vencomatic[®] B.V. can therefore not be held responsible for damage resulting from a standard type deviant specification of the product.

The provided information is made with all possible care, but Vencomatic[®] B.V. cannot be held responsible for errors or the results of errors in the information.

The by Vencomatic[®] B.V. used usernames, trading names, trademarks, etc can according to trading laws not be used.

Table of contents

€asy nest	1
1 FOREWORD	4
1.1 This installation manual	4
1.2 Document codes	4
1.3 Icons in this document	5
1.4 Available documentation	5
1.5 List of terms	6
1.6 Service and technical support	6
1.7 Identification of the system	7
1.8 The machine and the environment	7
1.9 Discard the machine	7
1.10 General safety instructions	8
1.11 Tools	9
2 GENERAL DESCRIPTION	10
2.1 Description €asy nest	10
3 TRANSPORT	11
3.1 Transport safety regulations	11
4 STORAGE	12
4.1 Storage safety regulations	12
5 PREPARATIONS	13
5.1 Preparing safety regulations	13
5.2 Bill of material system	13
5.3 Unpack	13
5.4 Preparing installation	13
6 INSTALLATION	14
7 INDEX	34

1 Foreword

1.1 This installation manual

This manual is meant as reference book for the machine that is represented on the cover of this document. Only authorized technicians and authorized users are allowed to move, install and place this equipment in operation in a safe and responsible way.

You can find information about the operation, periodic adjustment, cleaning and maintenance on the machine in the user manual.

All chapters and paragraphs have a document code. You will find this code at the bottom of every page.

1.2 Document codes

The document code consists of six parts:

- Field 1: document type
- Field 2: product type
- Field 3: version number
- Field 4: language code
- Field 5: month of publication
- Field 6: year of publication

1.3 Icons in this document

In the manual of this machine the following icons are used:



Careful

Procedures that can cause damage to the product, surroundings or environment. This damage can occur if procedures are not carried out carefully.

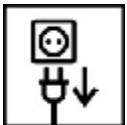


Warning

Danger for electricity / electrical power.



Remarks, suggestions and advices.



Pull out the plug first before proceeding operation.



Consult the indicated Information source first.



Protect against water and moisture.



Watch out!

Procedure that needs extra attention.

1.4 Available documentation

The following documentation of the Easy nest is available:

- Installation manual (Easy nest-02-en/July-2006)

1.5 List of terms

In this manual the following terms are used:

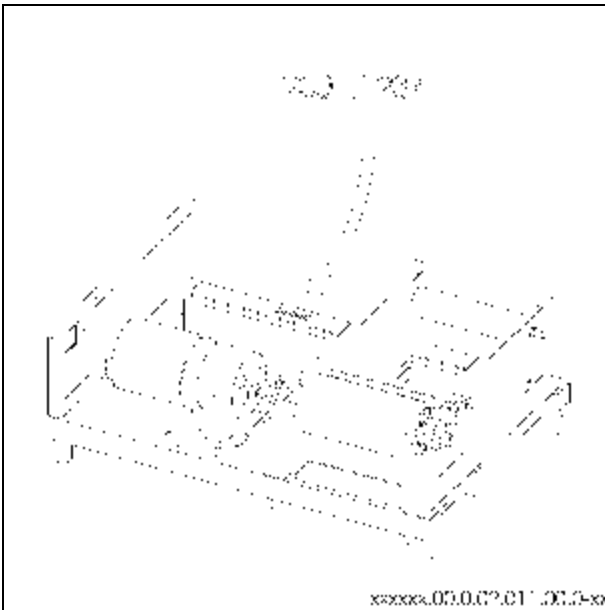
Technician	A trained -and therefore acquainted with the applied technique- expert familiar with the possible dangers of the machine. Technicians have a minimum age of 19 years. They have a solid knowledge of transport techniques. Technicians are authorized to transport, install, place in operation and repair the machine.
Authorized user	See 'User'. The 'authorized user' is also authorized to install and commission the machine.
User	The customer using the machine according to the purpose detailed in the concerning user manual. The user is responsible for the operation and the in the user manual described periodic adjustment, cleaning and maintenance of the machine.
Conveyor belt system	Indication for all possible versions of this machine.
Component	Identification for every separate connectable part of the machine.
Flock	Indication for the economic life cycle of the chickens.

1.6 Service and technical support

When an item is not discussed in this manual contact your local Vencomatic dealer for information about specific procedures.

1.7 Identification of the system

The production label is placed on the drive unit. See picture below.



The number on the production label represents the order number.

1.8 The machine and the environment

1.8.1 Packaging material

The packaging material mainly consists of:

- (corrugated) cardboard
- (untreated) wood
- plastic packaging material

Inform the customer to inquire about the possibilities for recycling and environmentally friendly disposal / re-use of the packaging materials.

1.9 Discard the machine

Discarded machines should be disposed of in an environmentally friendly way according to the local regulations. The used materials can be subdivided roughly in:

- plastic (egg carrier on chain, dirt tray, various plugs)
- untreated metal (shafts)
- coated metal (motor and bearing block)
- galvanized metal (sheet metal, fastening materials, legs)
- aluminum (side profiles of section)
- oil and grease (in motor, bearing block and oil lubrication system)

If an electrical control panel is supplied:

The printed circuit board(s) and their components in the control panel are electrical waste.

1.10 General safety instructions

Vencomatic B.V. will not accept any claim for damage or injury caused by not following the safety regulations and safety instructions, or carelessness during:

- transport,
- installation,
- commissioning,
- operation,
- maintenance,
- troubleshooting and repair,

of the machine and possible accessories. Depending on specific working circumstances or additional accessories, additional safety regulation can be needed. If during previous the aforementioned activities a potential danger occurs, please contact Vencomatic B.V. immediately.

1.10.1 Installation manual / user manual

- Every technician has to know the contents of the installation manual. The technician must follow the instructions in the installation manual conscientiously.
- Every (authorized) user has to know the contents of the user manual and follow the instructions in the user manual conscientiously.
- Never change the order of the “to do” actions.
- Store this manual carefully.

1.10.2 Stickers and instructions on the machine

Stickers, symbols and instructions are an integral part of this machine's safety precautions. It is therefore not allowed to cover them up and / or remove them. They have to be present and legible during the whole life cycle of the system.

- Replace or repair illegible stickers, symbols and instructions immediately.

1.10.3 Technician

Transport, installation and commissioning of the machine is allowed for authorized and trained technicians only. (See 'Terms and Definitions'.) While carrying out their work they are always fully responsible for compliance of local safety regulations and guidelines. Temporary personnel and persons in training are allowed to work with the machine under supervision of an authorized technician only.

1.10.4 Authorized users

An authorized user is the customer using the machine. This use is in accordance with the purpose of the user guide. The user is responsible for the operation of the machine. The user takes care of periodic adjustment, cleaning and maintenance of the machine. These items are written down in the user manual.

The 'authorized user' is also authorized for installation and commissioning of the machine.

1.10.5 Technical specifications

The technical specifications cannot be changed.

1.10.6 Modifications

Modification of (or parts of) the machine is not allowed. Use original (spare)parts advised by the manufacturer only.

1.11 Tools

1.11.1 Added tools

The following tools have been included with your system:

- 10 mm socket wrench

1.11.2 Remaining tools

All other tools which are necessary for installation of the machine are shown as icons in the following drawings.

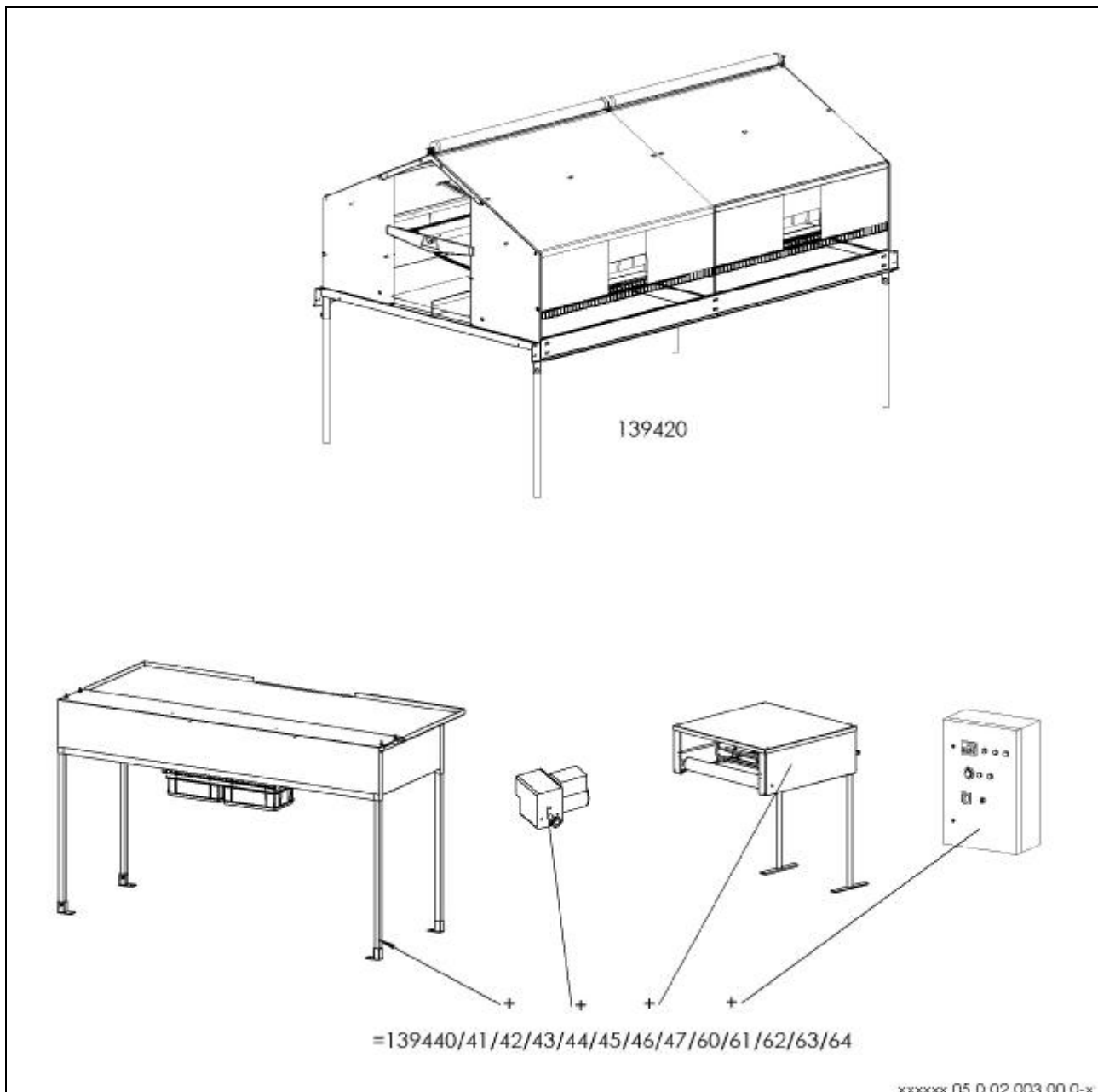
2 General description

2.1 Description Easy nest

The Vencobelt Easy nest is made up of modular components. This means that, –depending on the use of the component,- different positions are possible.

The following components can be part of the Easy nest.

- 139440/41/42/43/44/45/46/47/60/61/62/63/64 : egg-gathering
- 139420 : section



3 Transport

3.1 Transport safety regulations

See also 'General safety prescription and -instructions '.

4 Storage

4.1 Storage safety regulations

- See also 'General safety instructions'.
- Respect the surrounding conditions. Never store the system in a room where the temperature can get under +10 °C. Lower temperatures can damage sensitive parts.
- Store the system in a dry and dust free room.
- Place the system on a level floor.
- Never place heavy products on top of lighter products.

5 Preparations

5.1 Preparing safety regulations

- Always carefully look at the icons in the drawings before starting. Icons give information about which tools to use or the actions to be taken for correct assembly.
- Take care of scaffolding materials in case work has to be done on a higher level.
- See also 'General safety instructions'.

5.2 Bill of material system



Check if all components and parts are supplied conform to the bill of material. When a component or part is not present contact the local Vencomatic dealer. See 'Service and technical support'.

5.3 Unpack



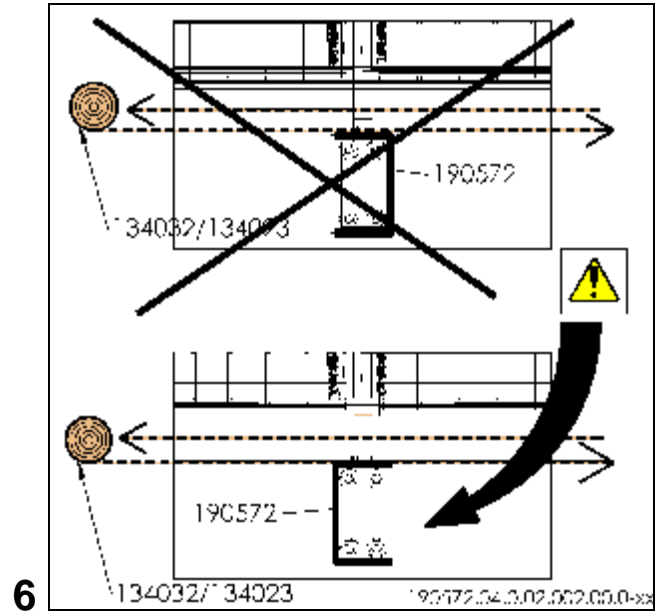
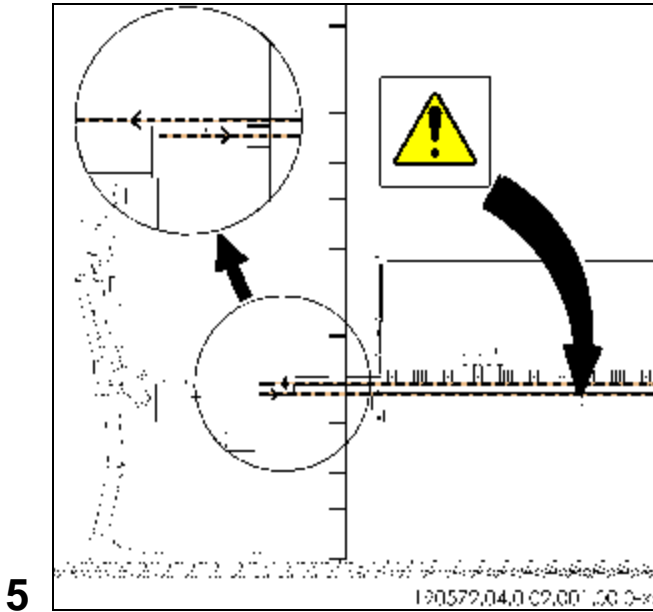
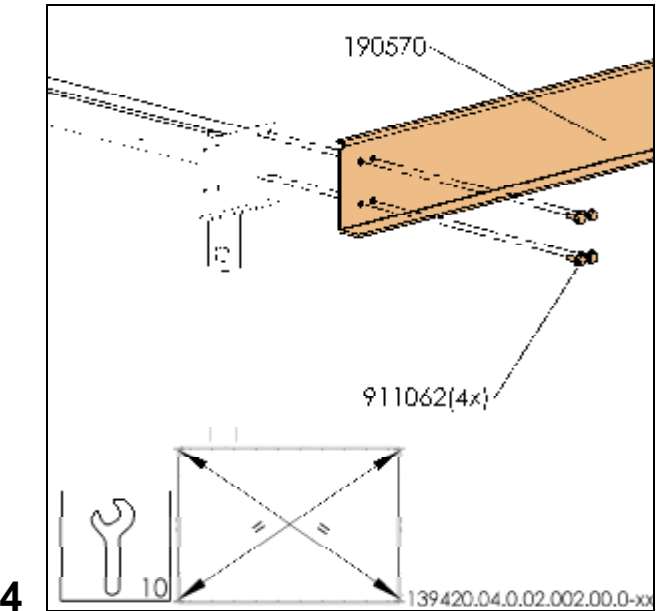
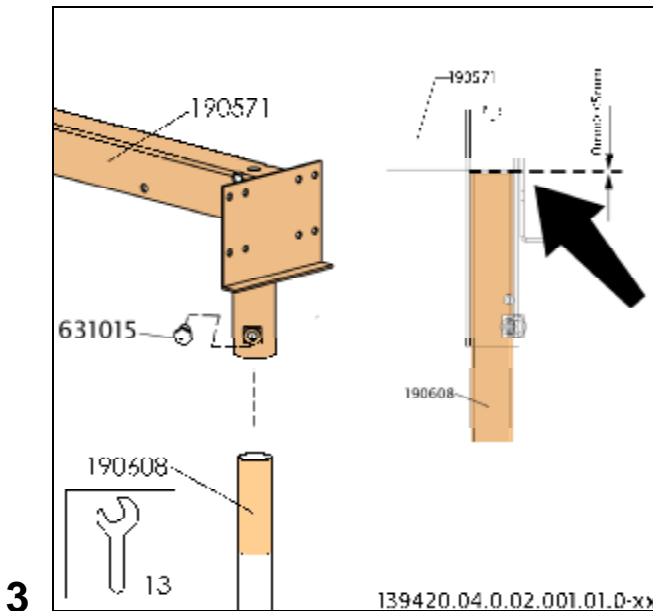
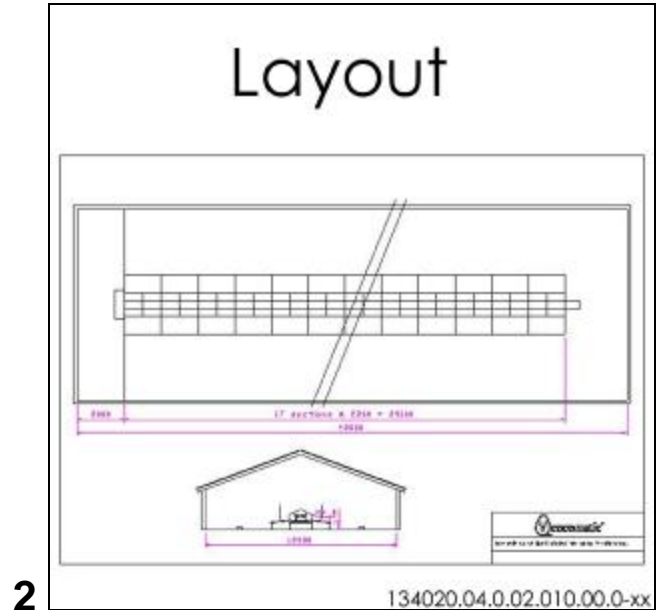
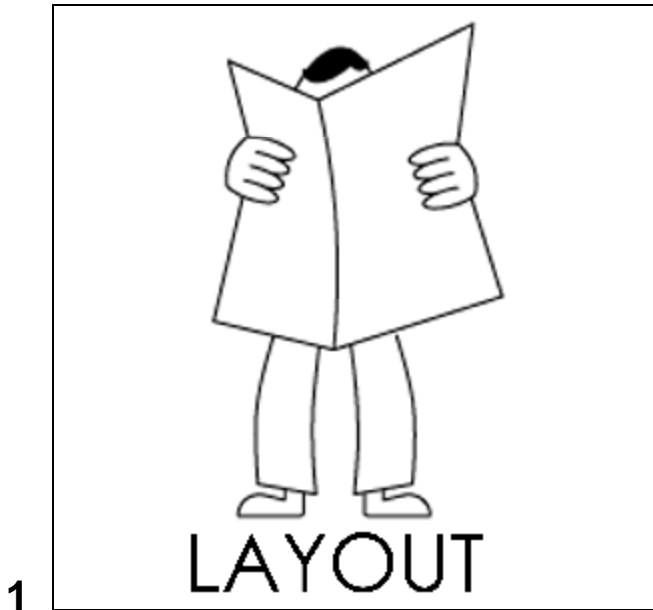
All boxes are numbered. The numbers on the boxes correspond with the numbers on the bill of material. Leave all components and parts in the boxes as long as possible, this makes the installation easier.

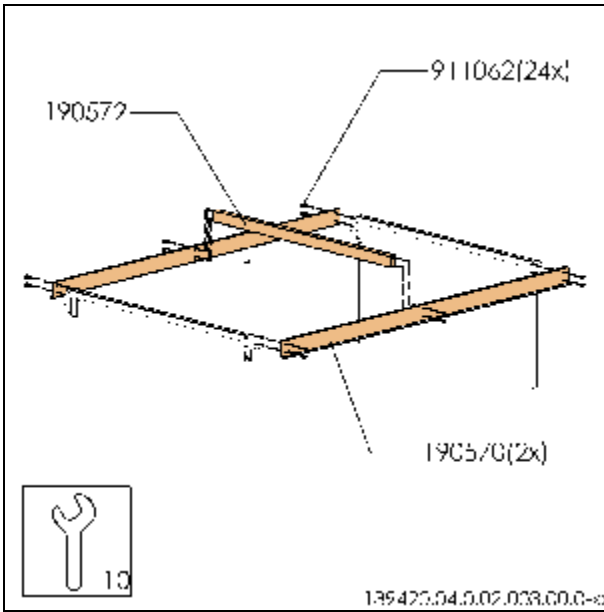
5.4 Preparing installation

Make sure that before starting the installation:

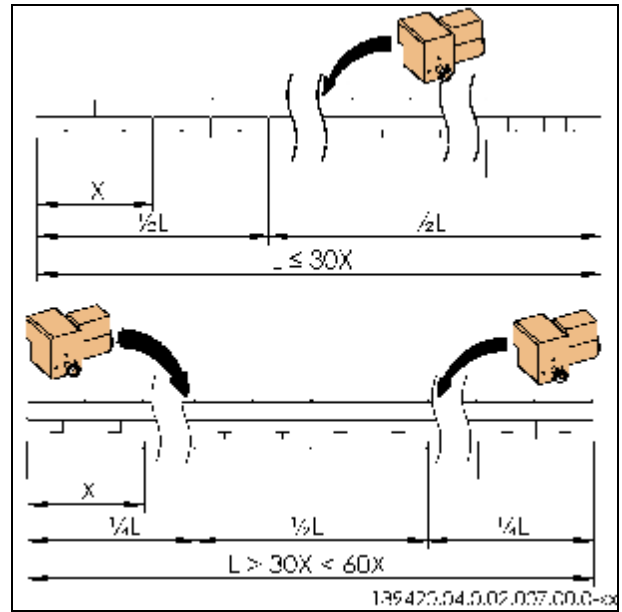
- the room temperature is 10 °C minimum.
- the floor is level and paved.
- all electrical connections are ready for use.

6 Installation

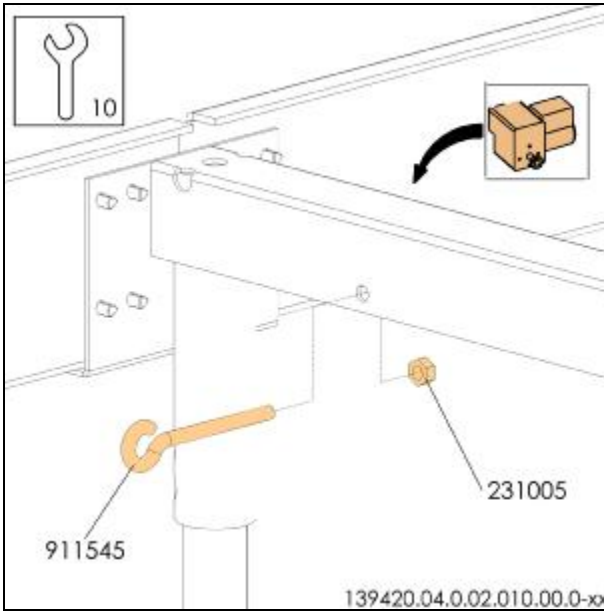




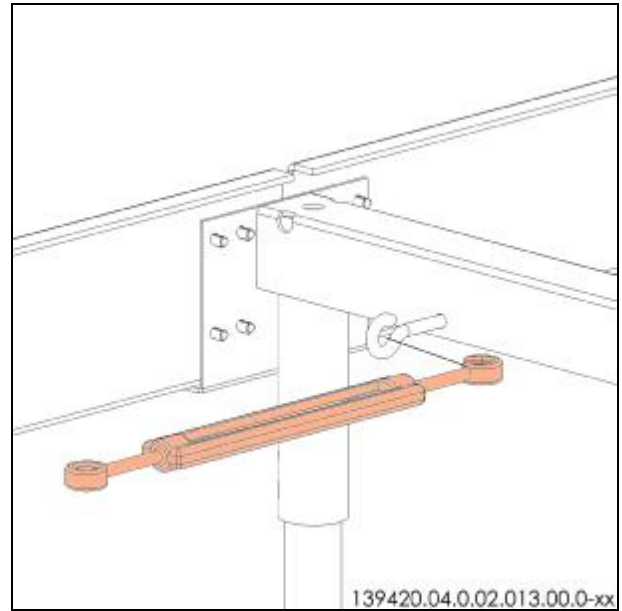
7



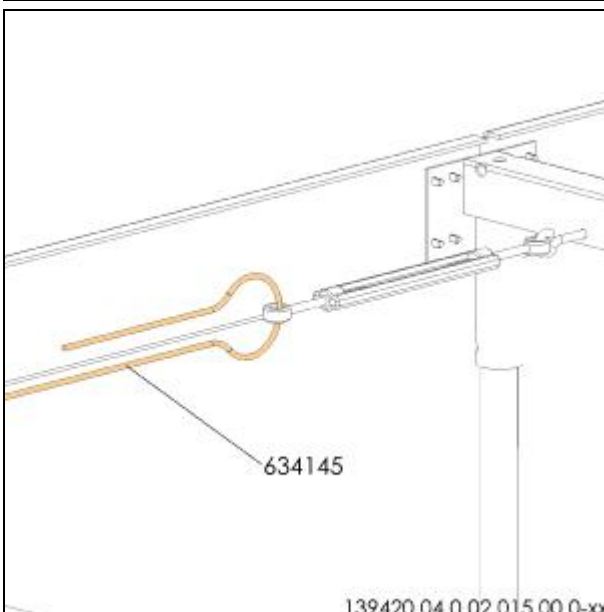
8



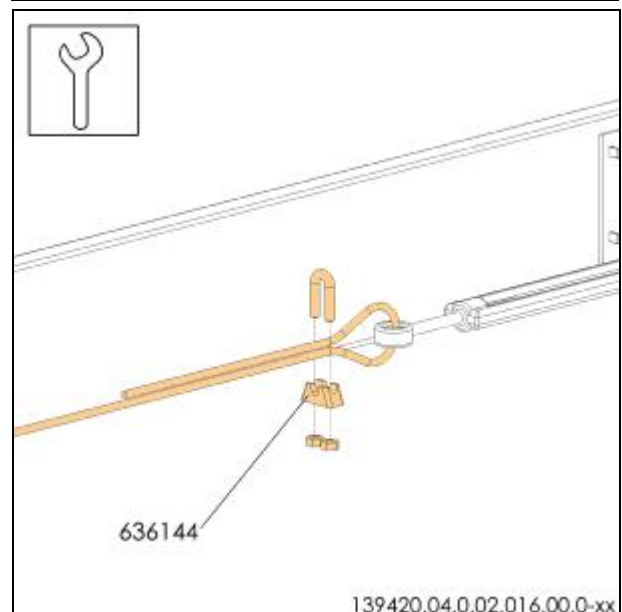
9



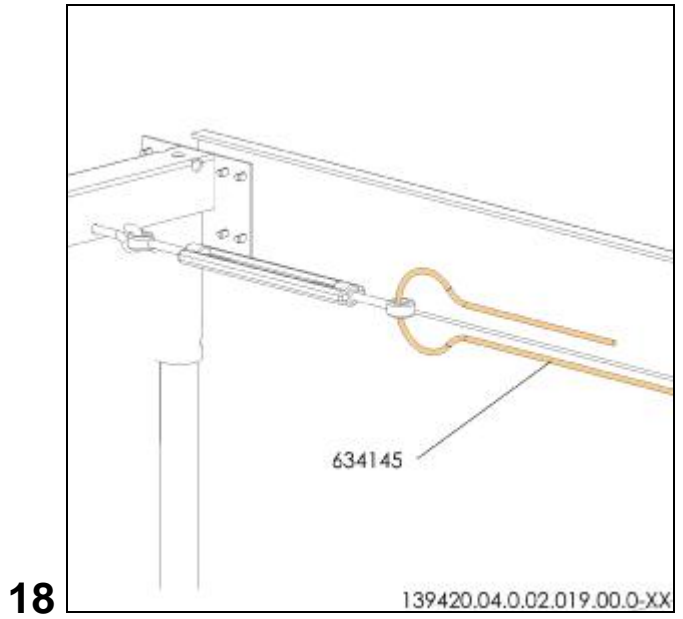
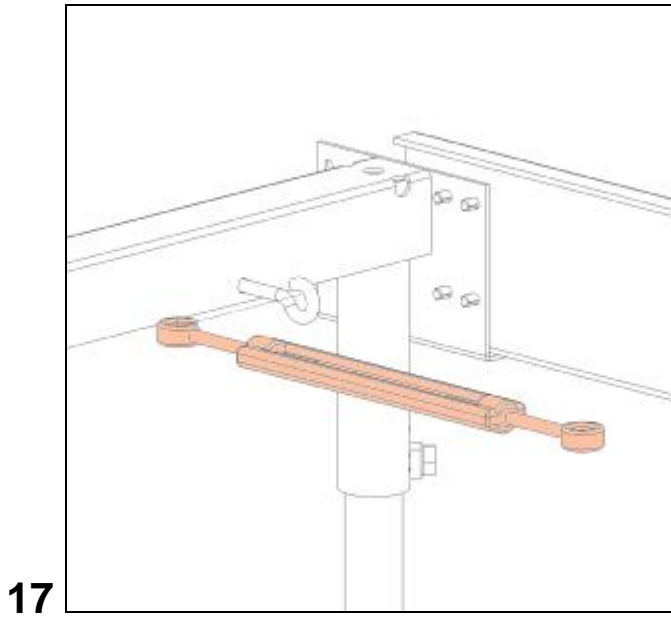
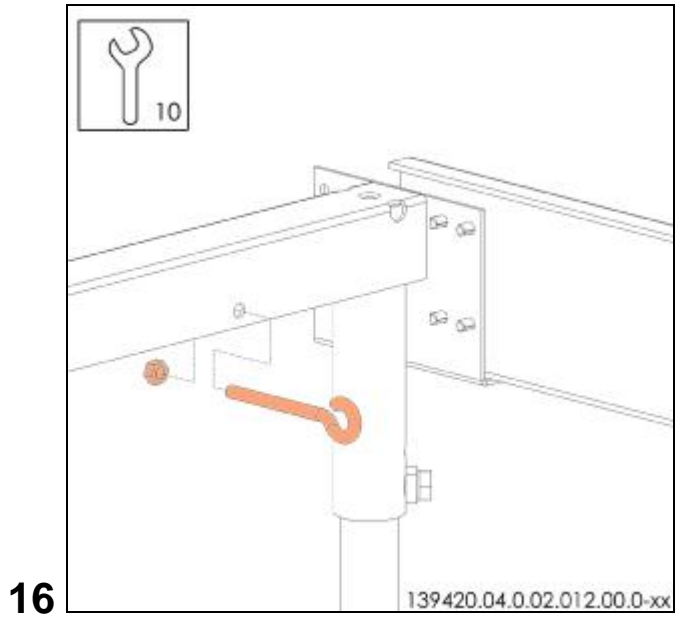
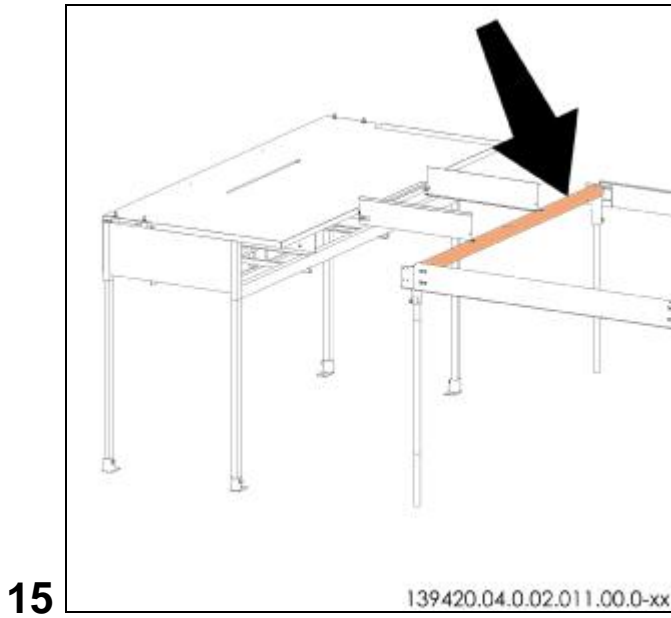
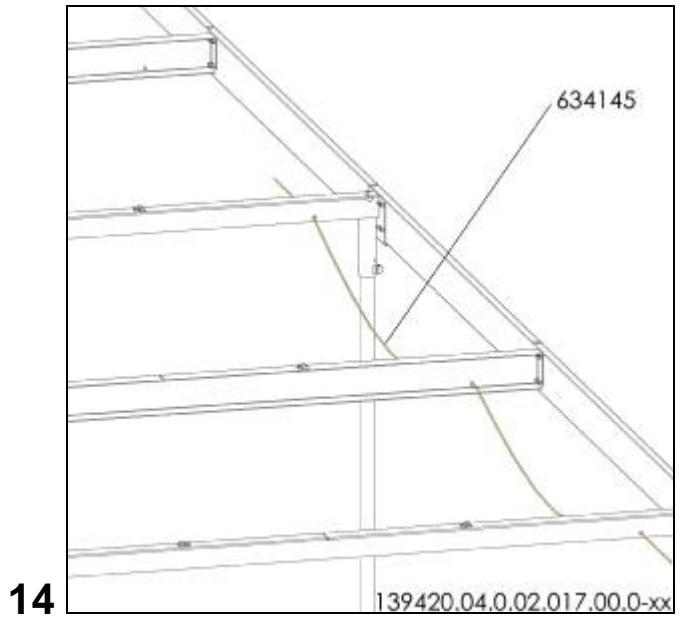
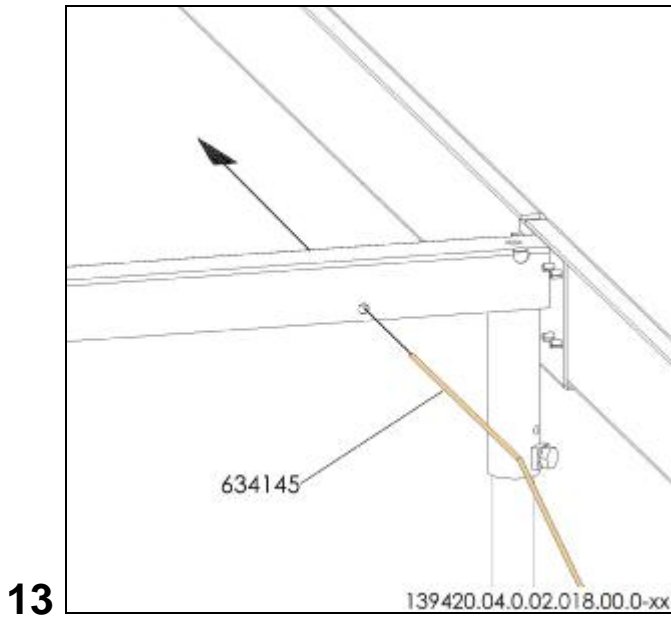
10

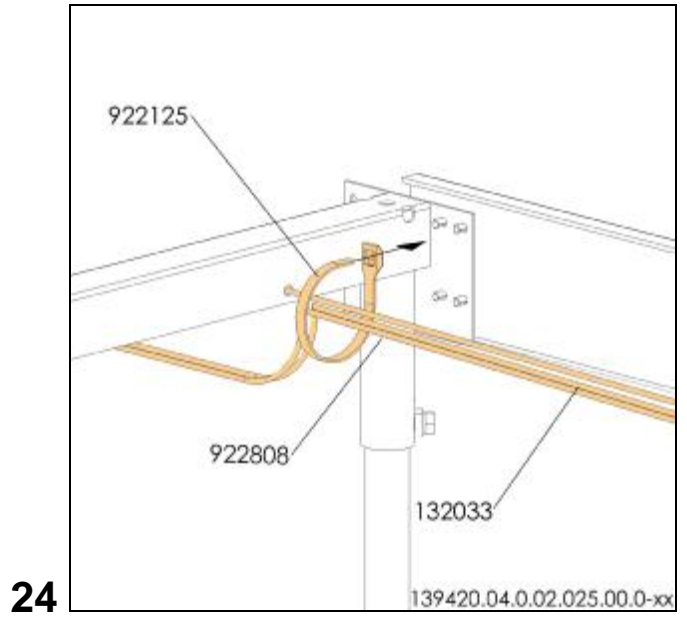
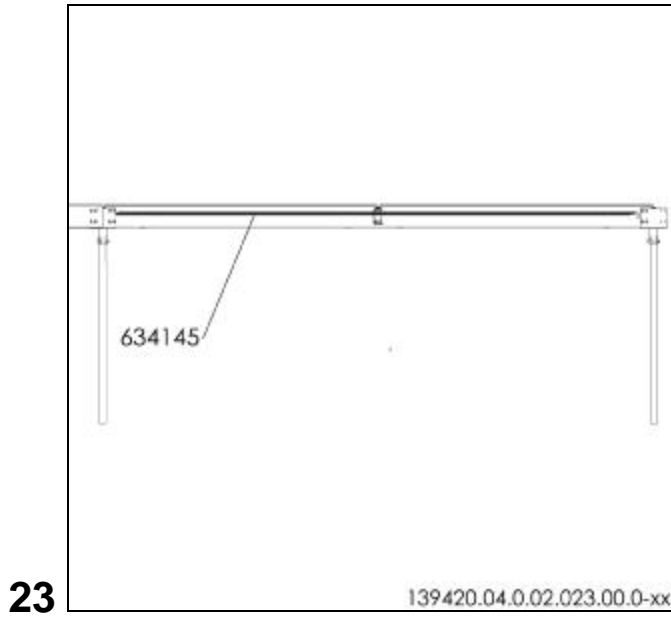
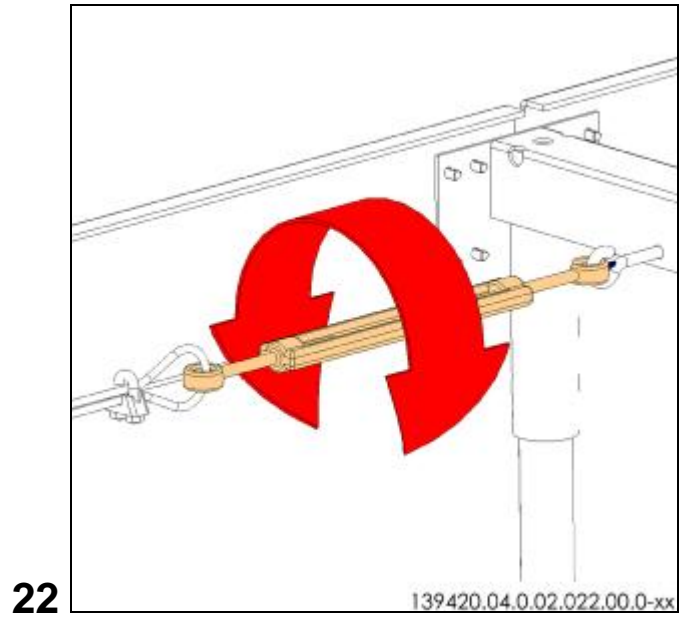
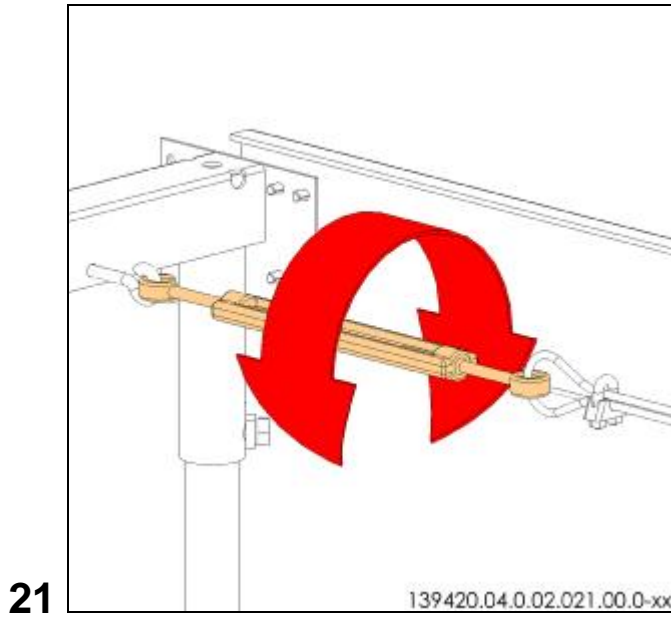
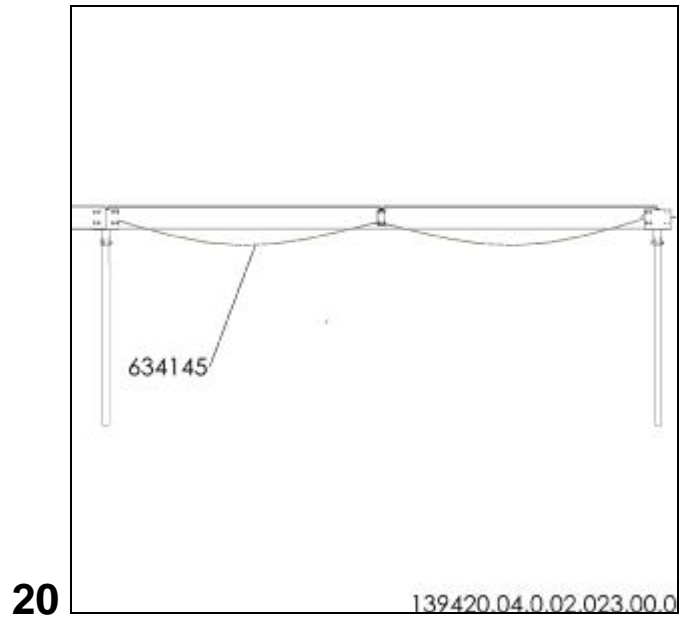
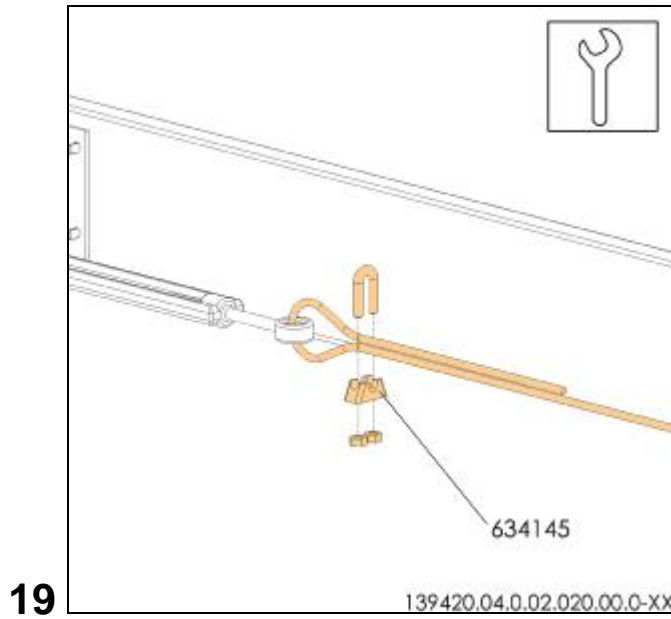


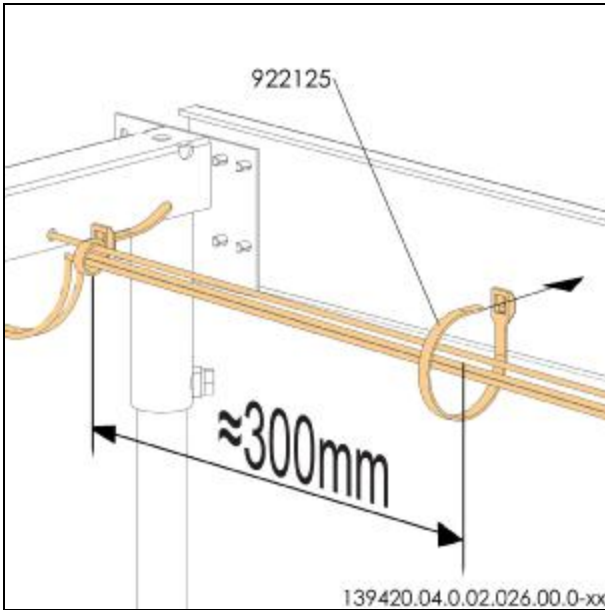
11



12

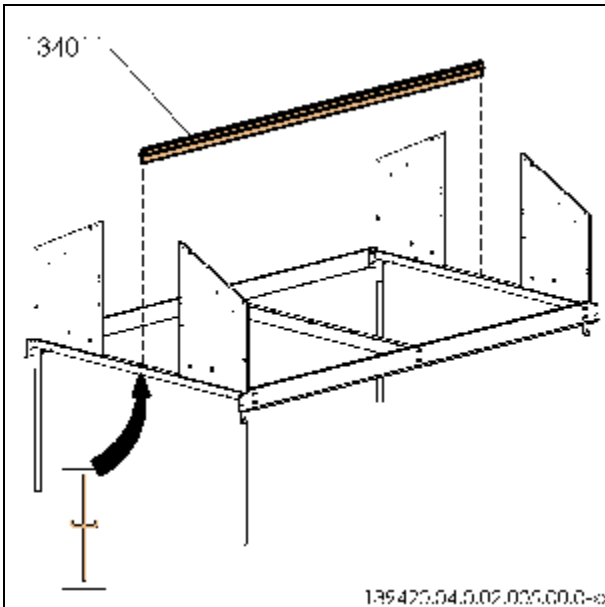
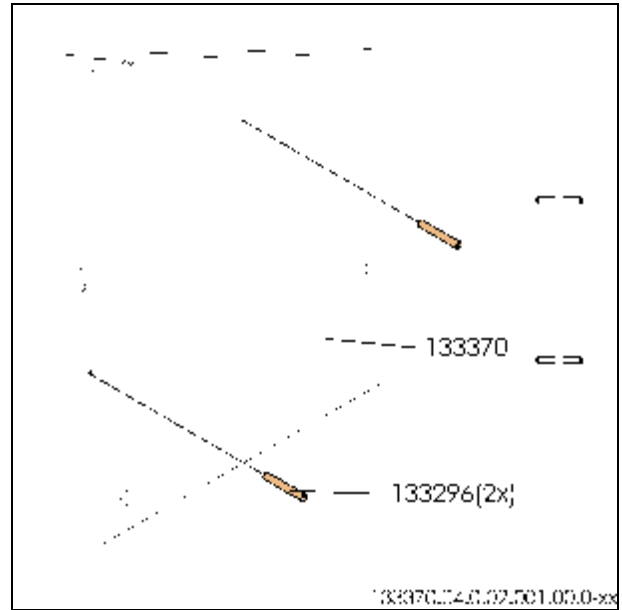






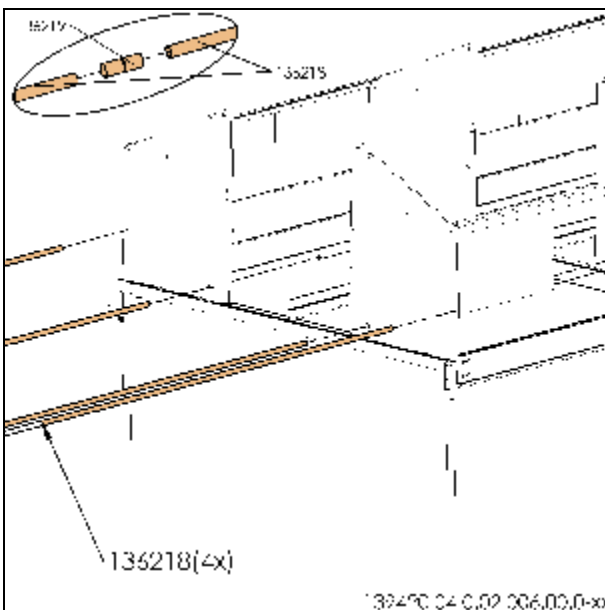
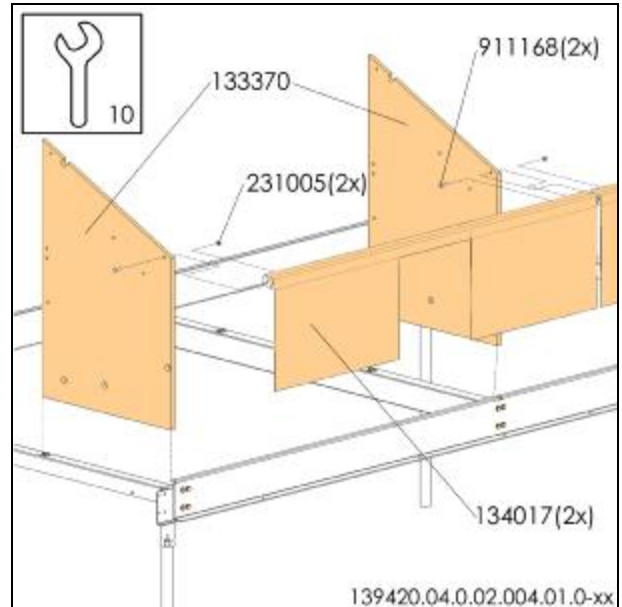
25

26



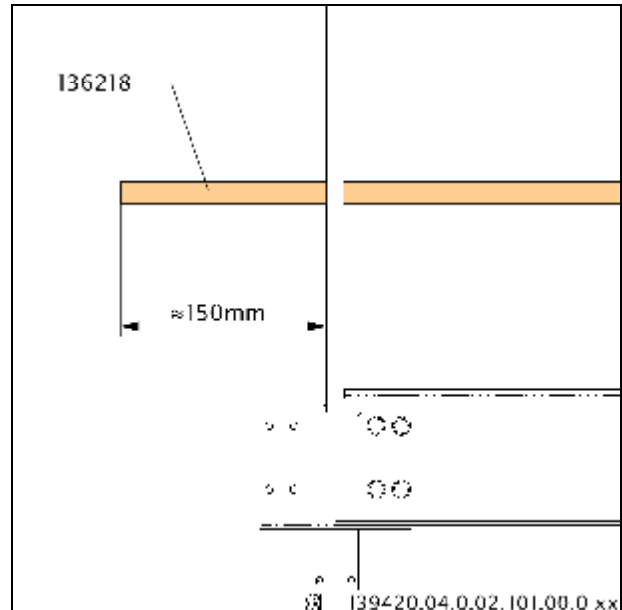
27

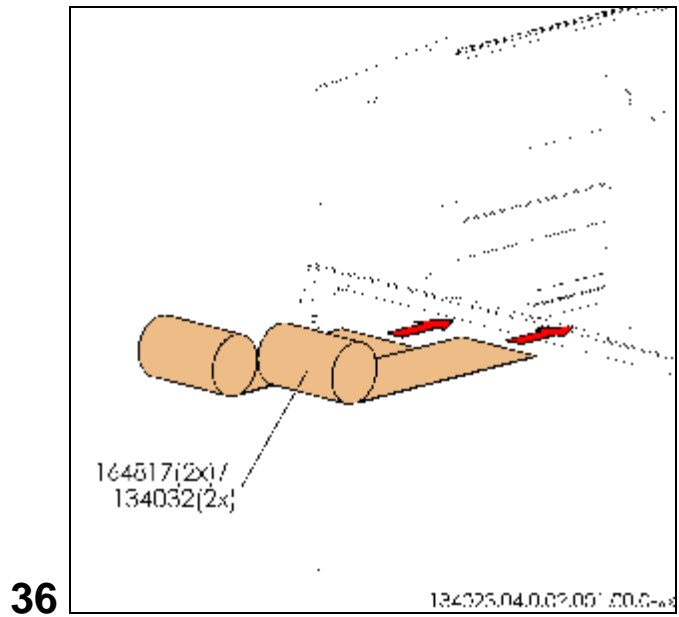
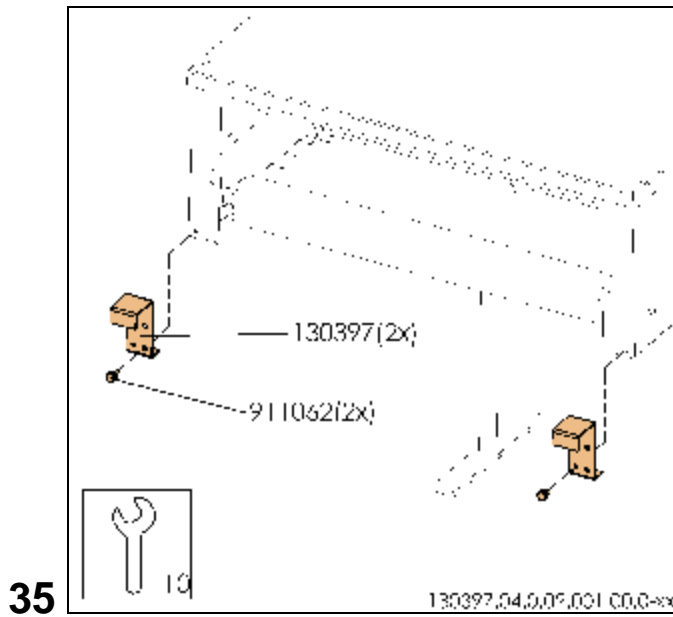
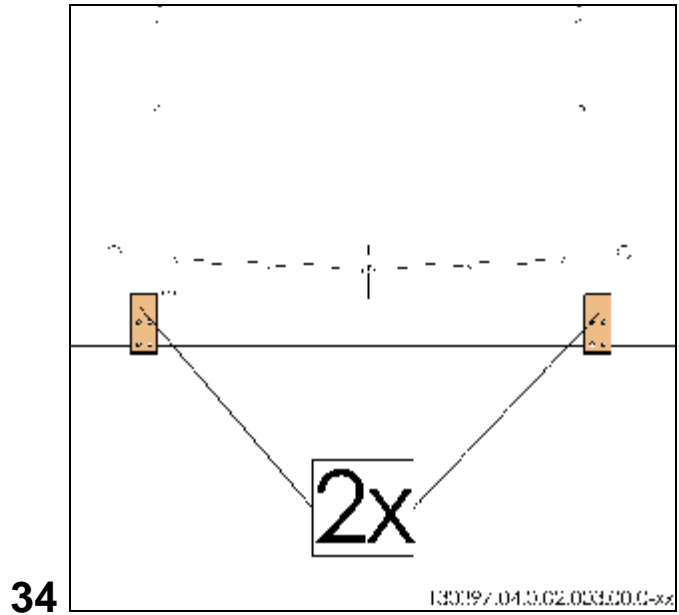
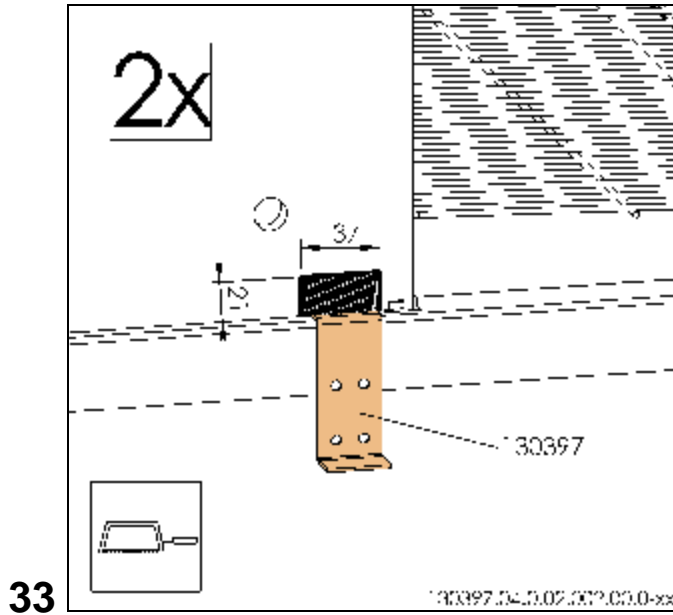
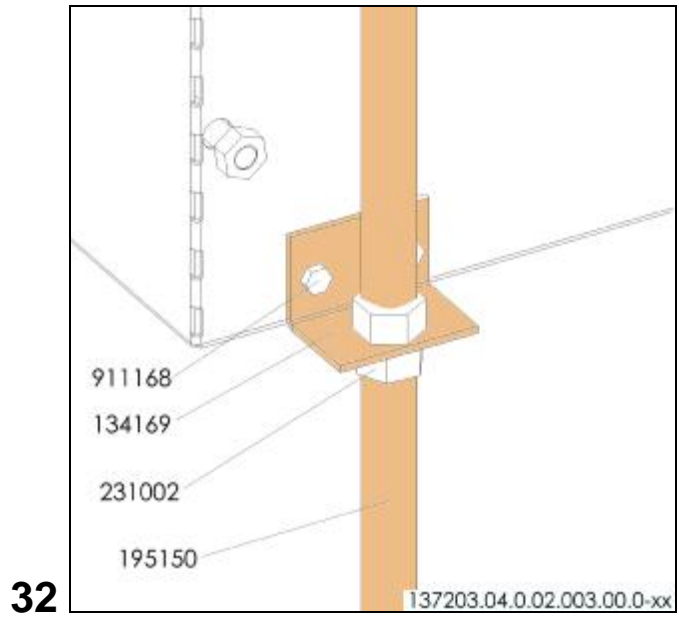
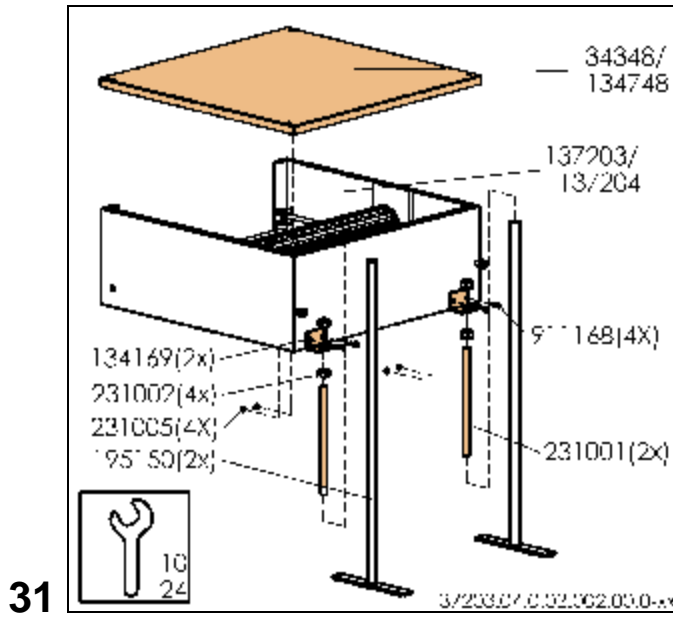
28

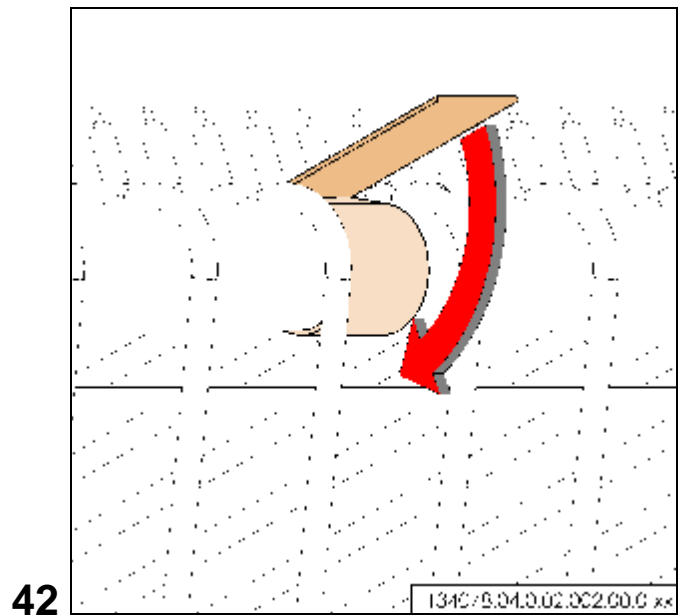
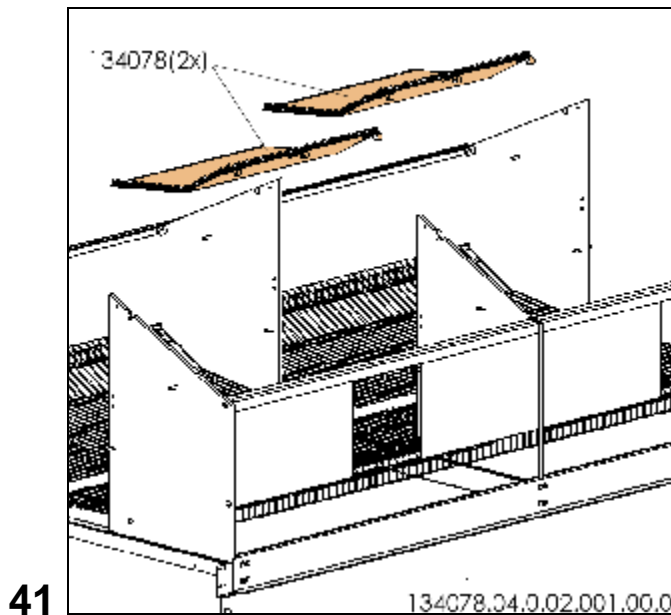
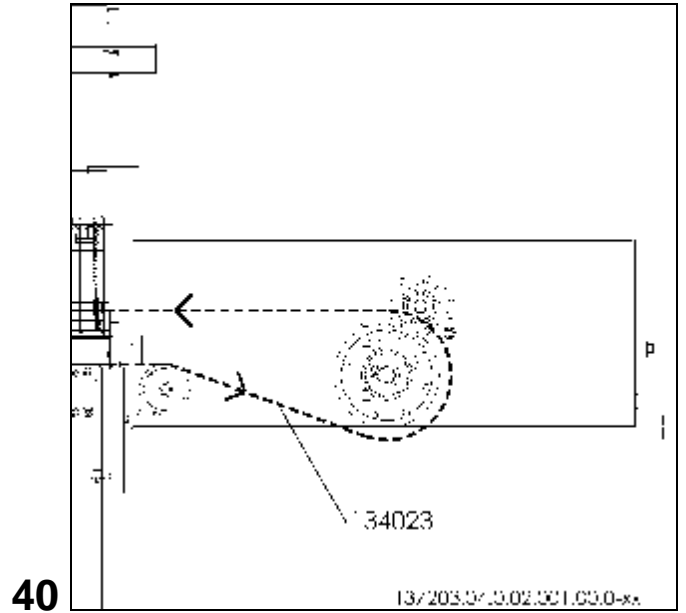
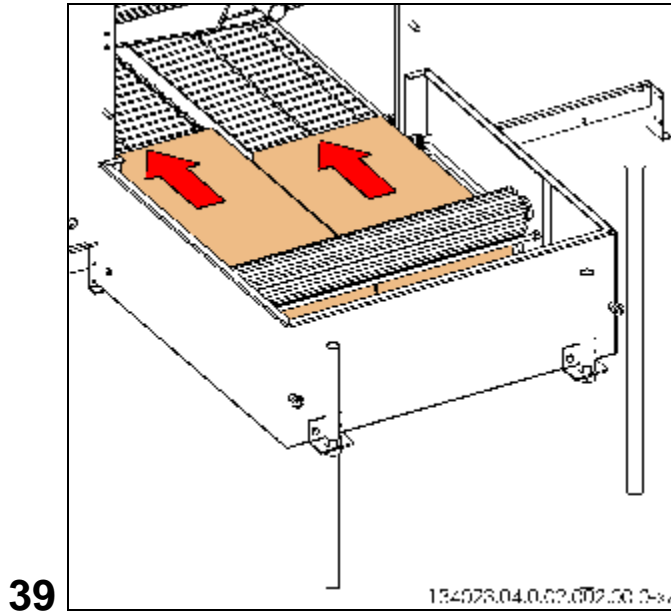
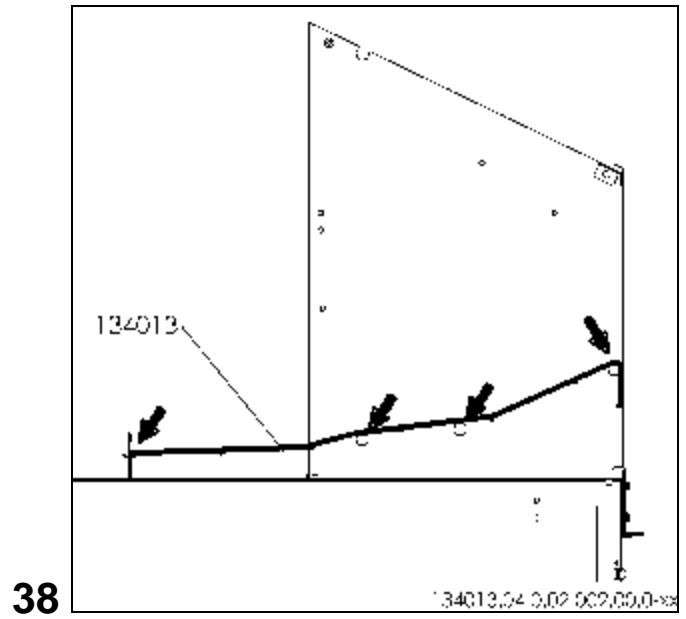
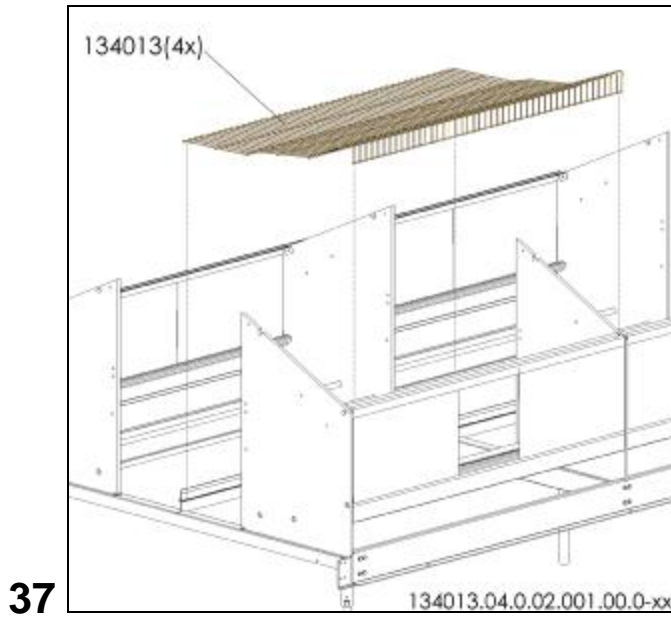


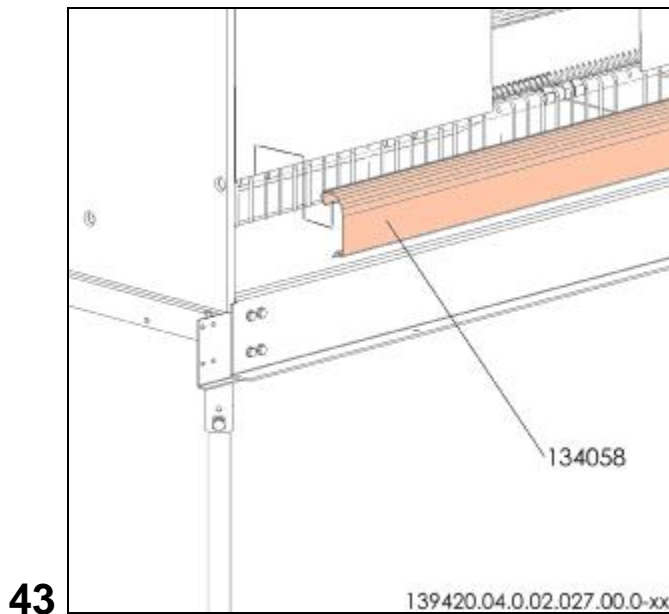
29

30



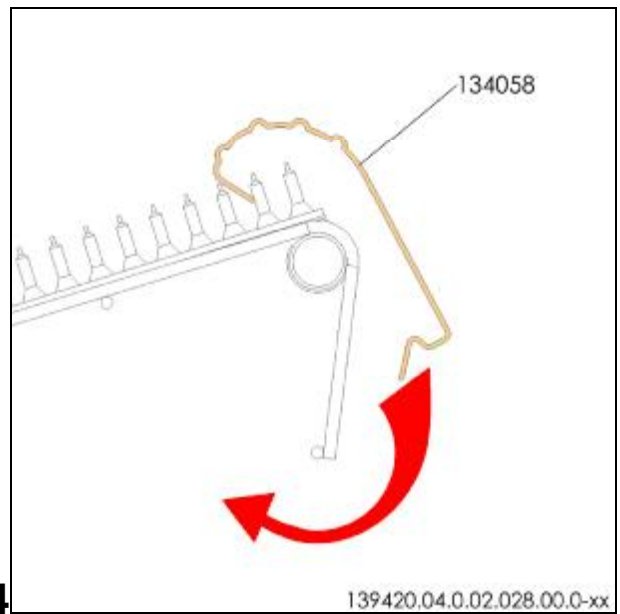






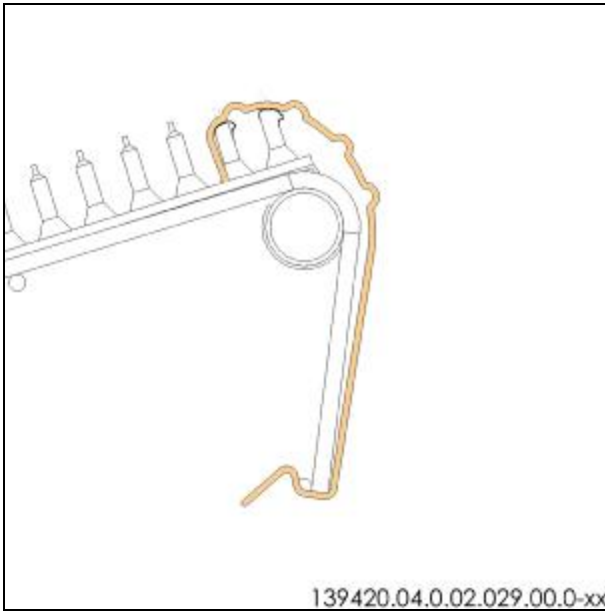
43

139420.04.0.02.027.00.0-xx



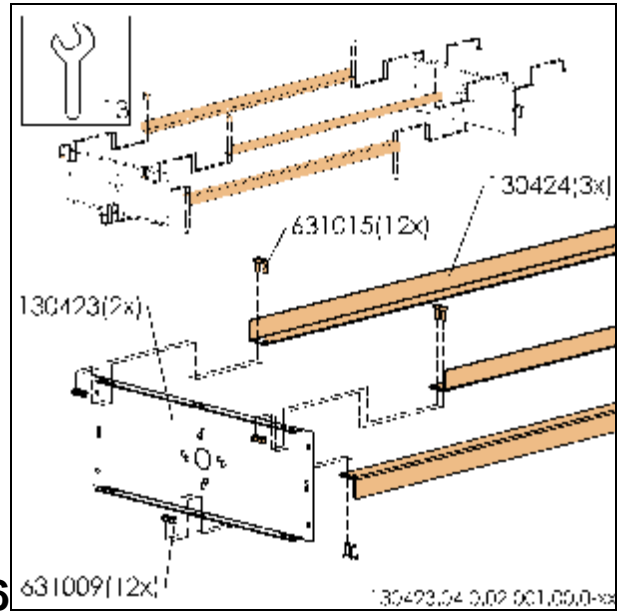
44

139420.04.0.02.028.00.0-xx



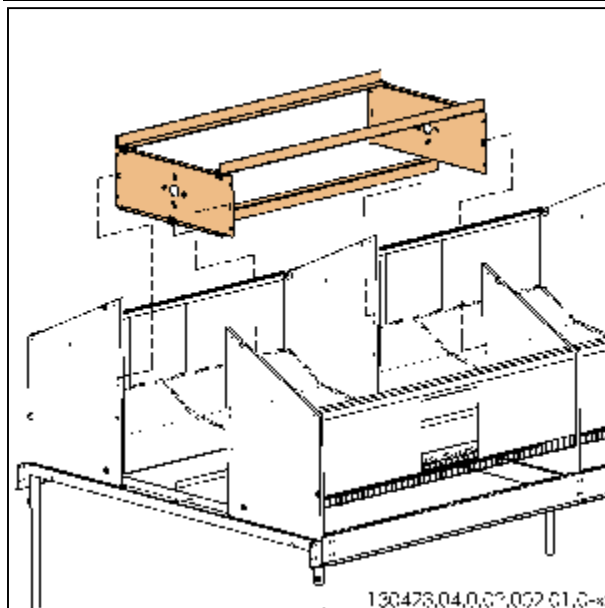
45

139420.04.0.02.029.00.0-xx



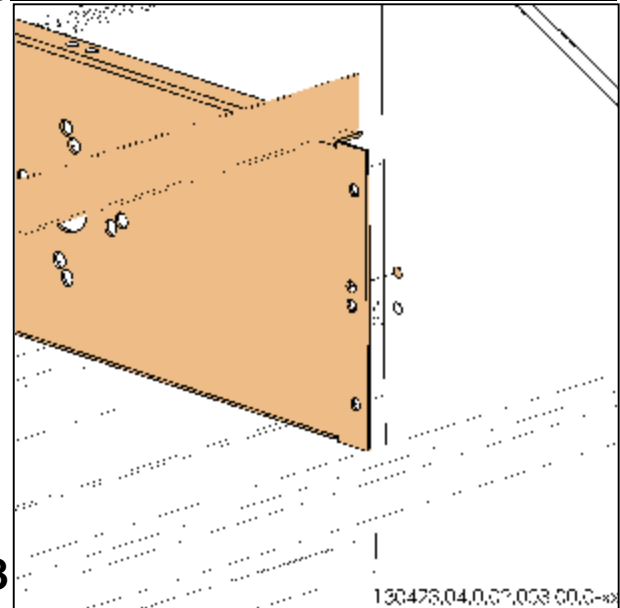
46

130423.04.0.02.001.00.0-xx



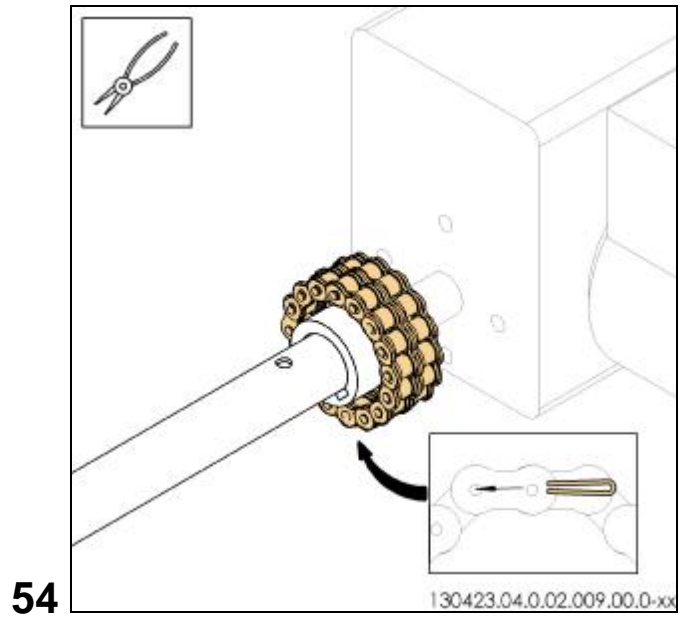
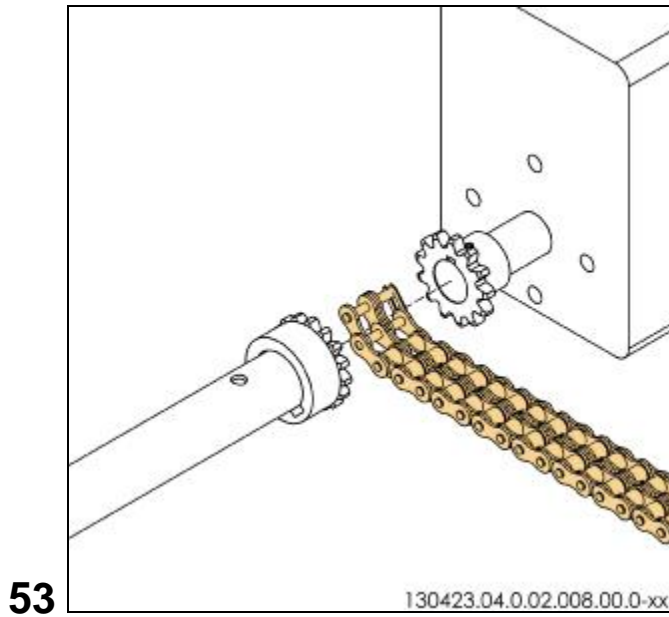
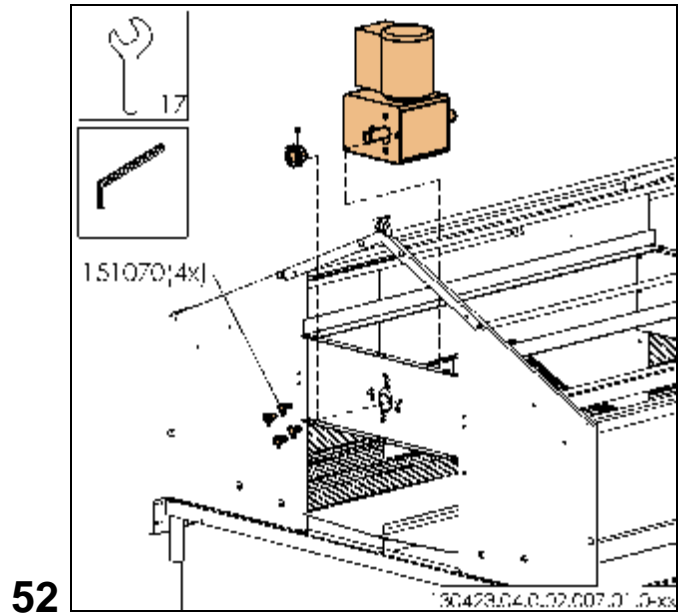
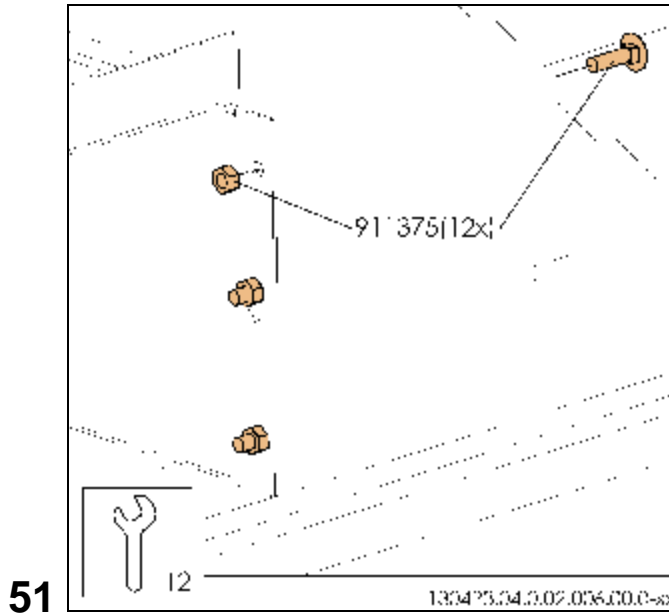
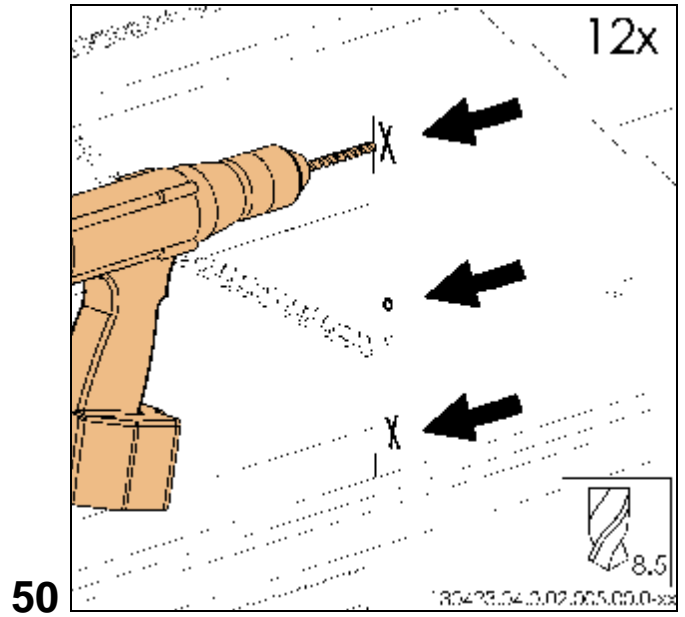
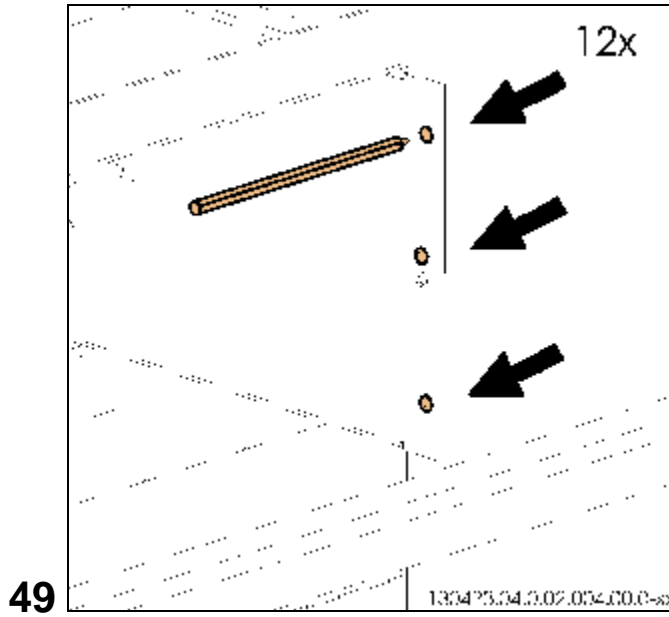
47

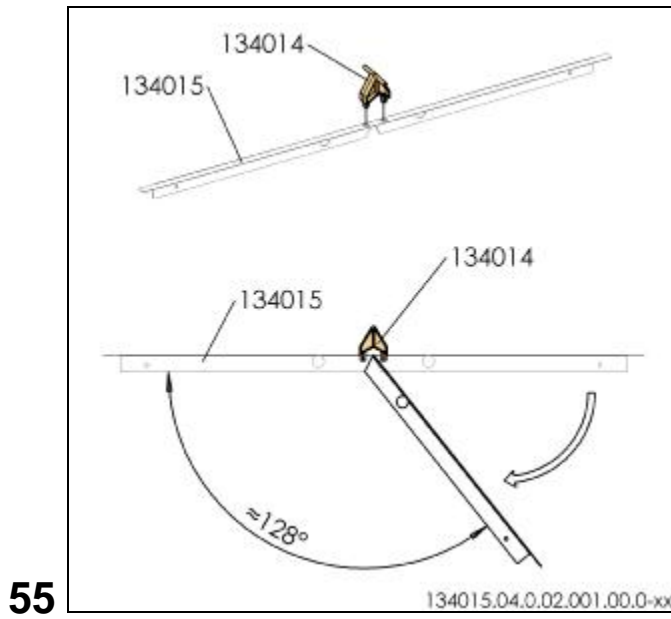
130423.04.0.02.002.01.0-xx



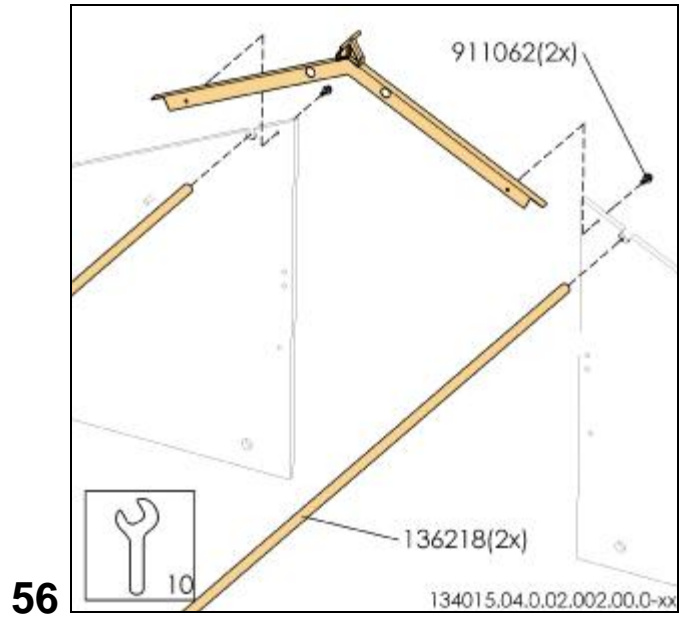
48

130423.04.0.02.003.00.0-xx

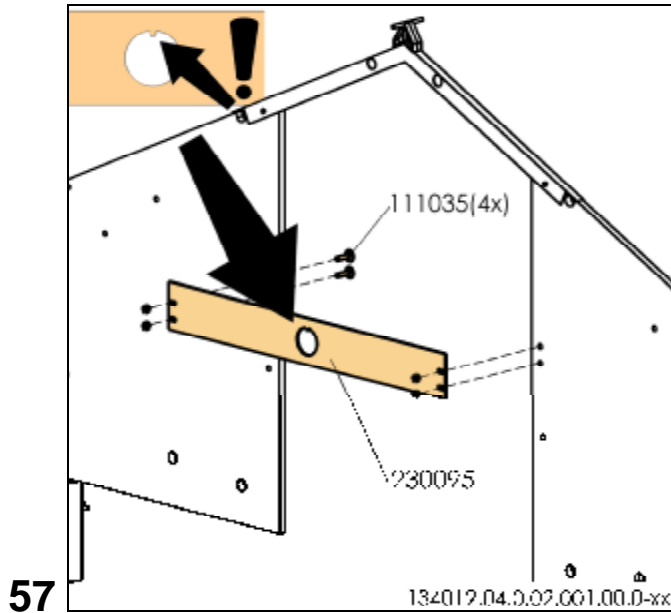




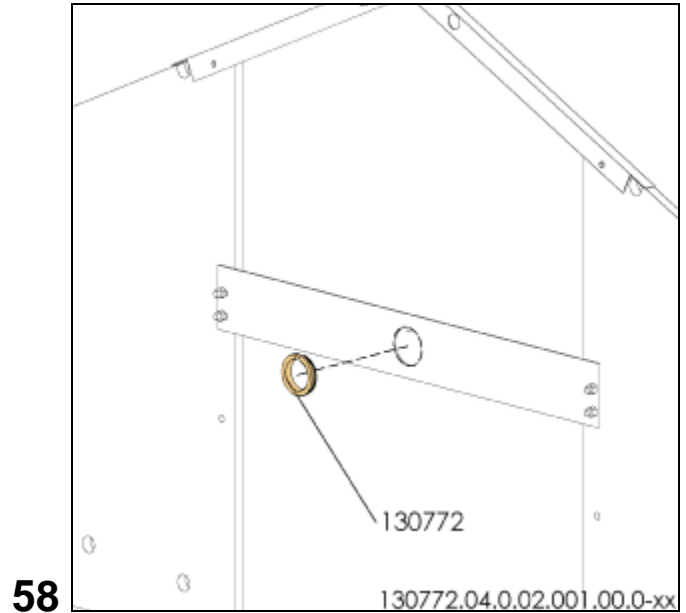
55



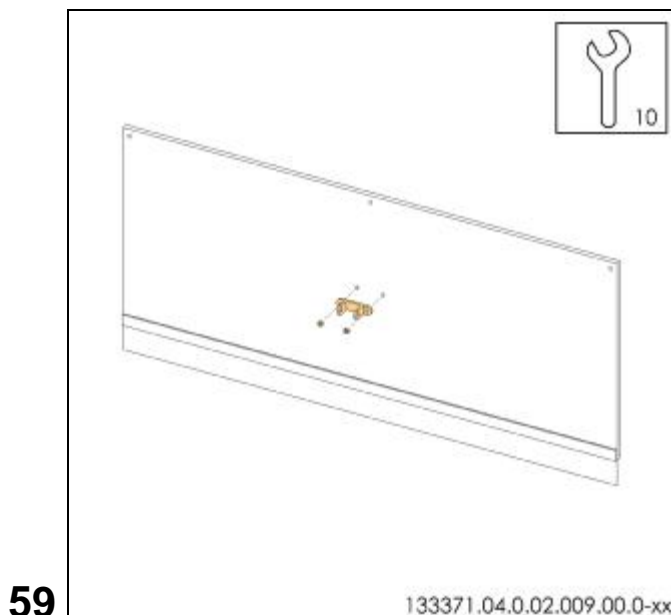
56



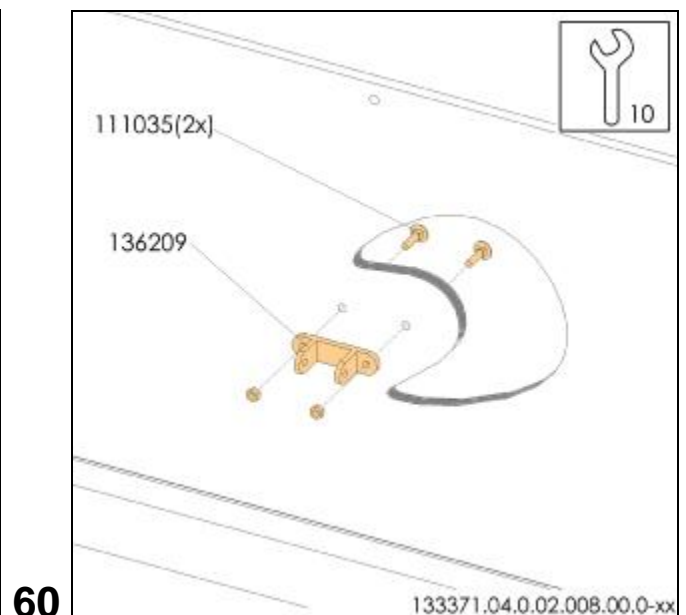
57



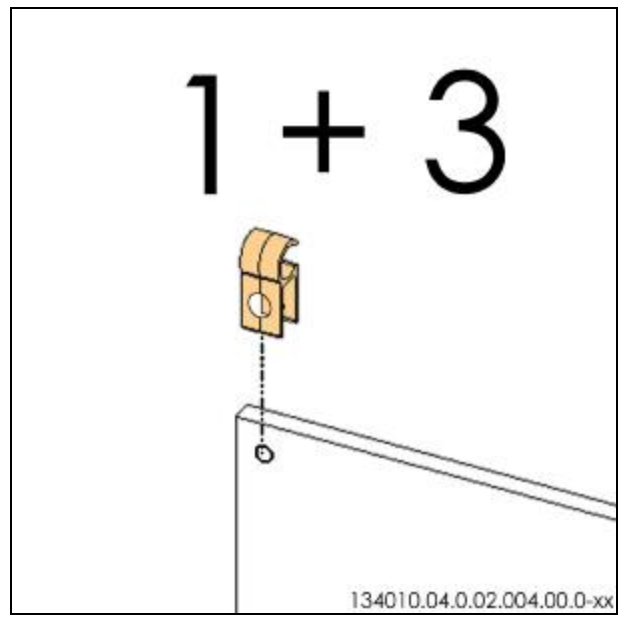
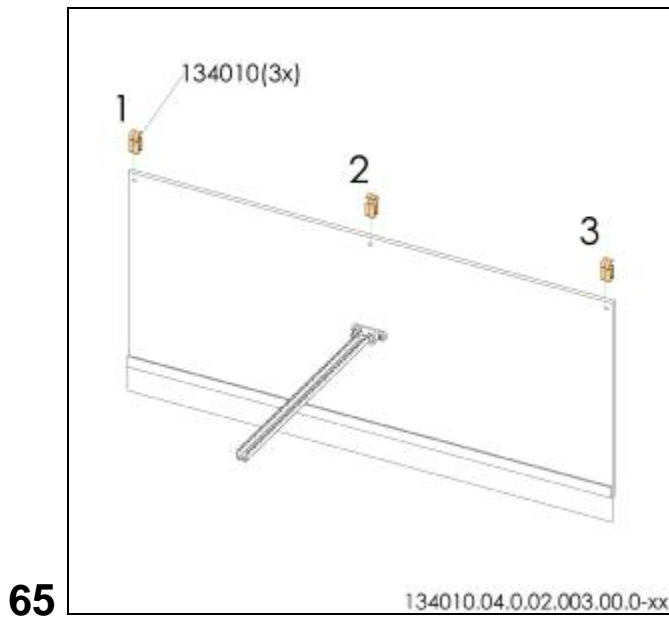
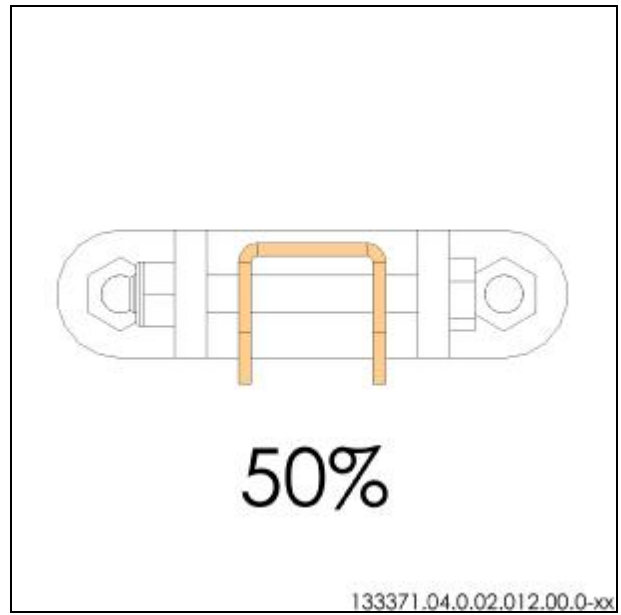
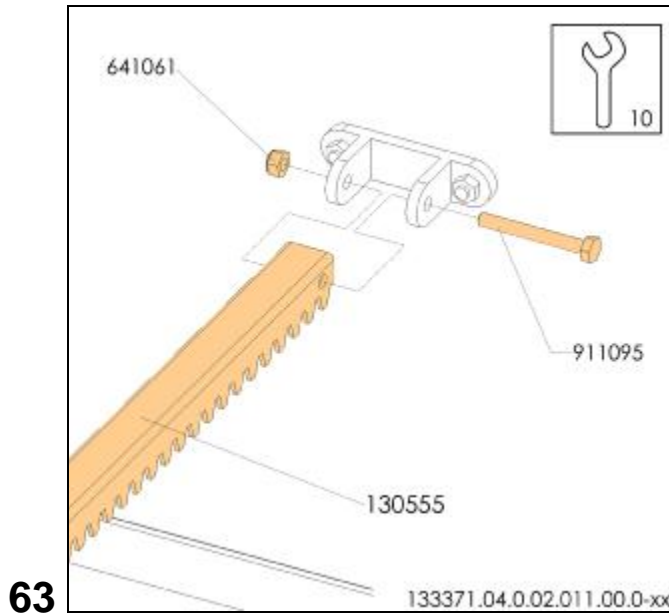
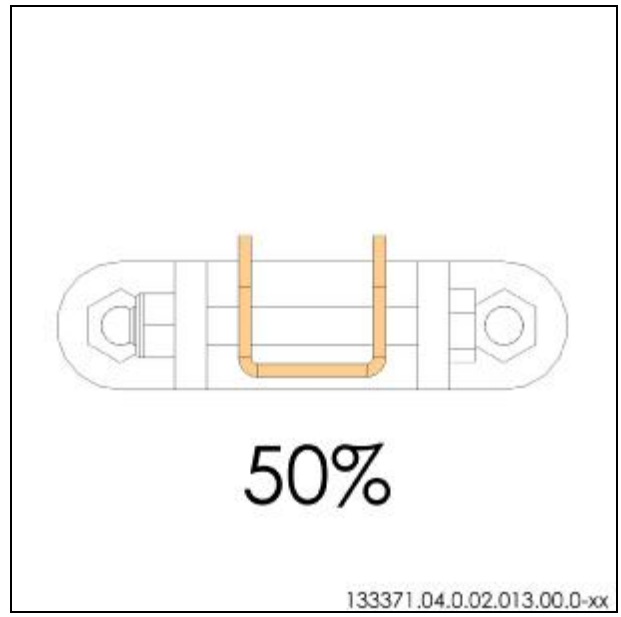
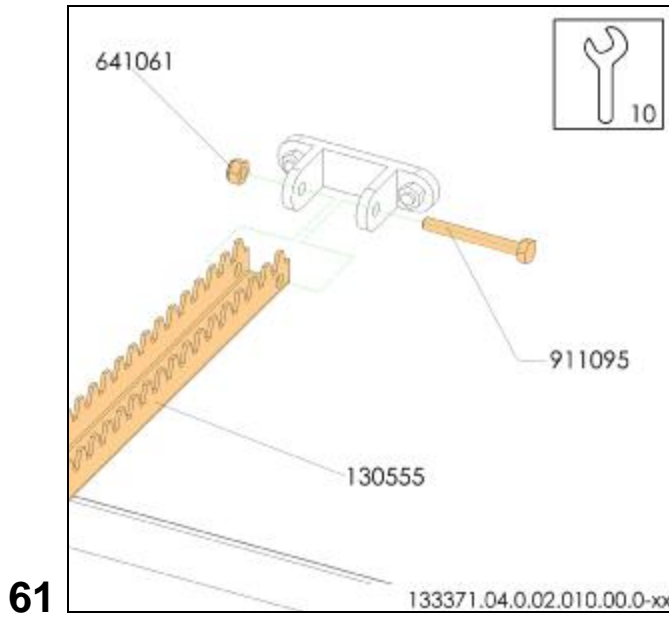
58

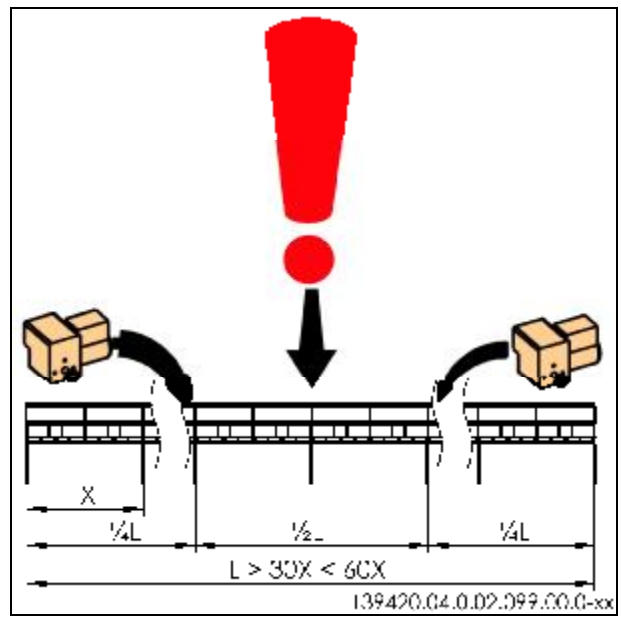
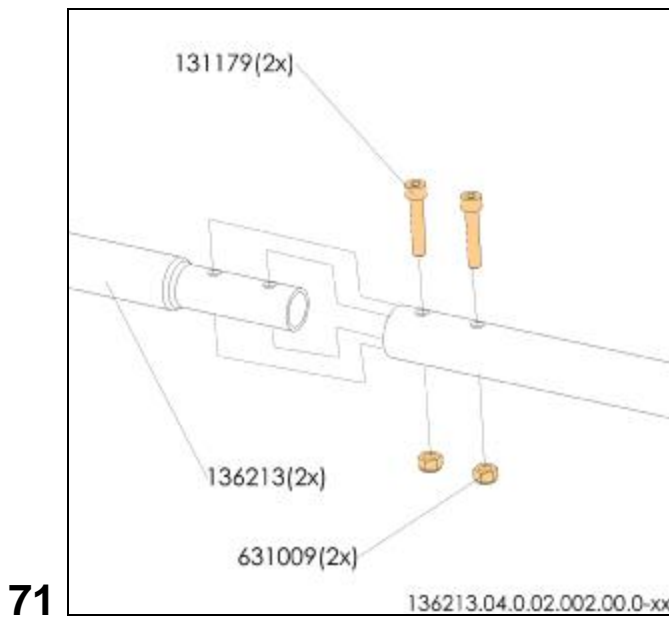
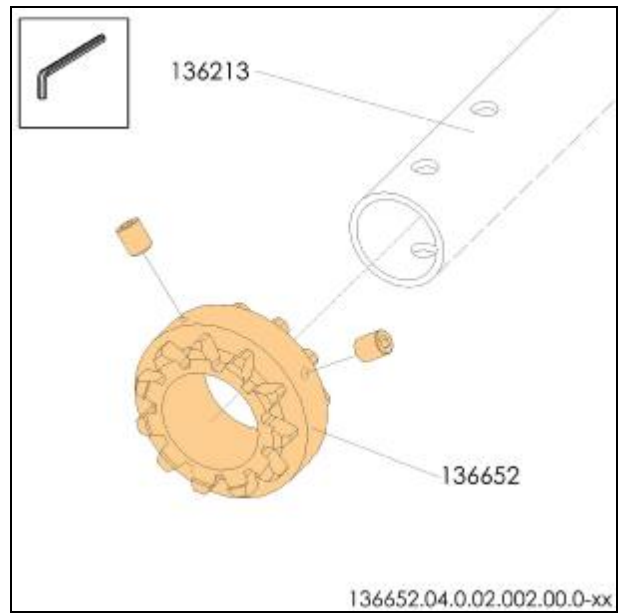
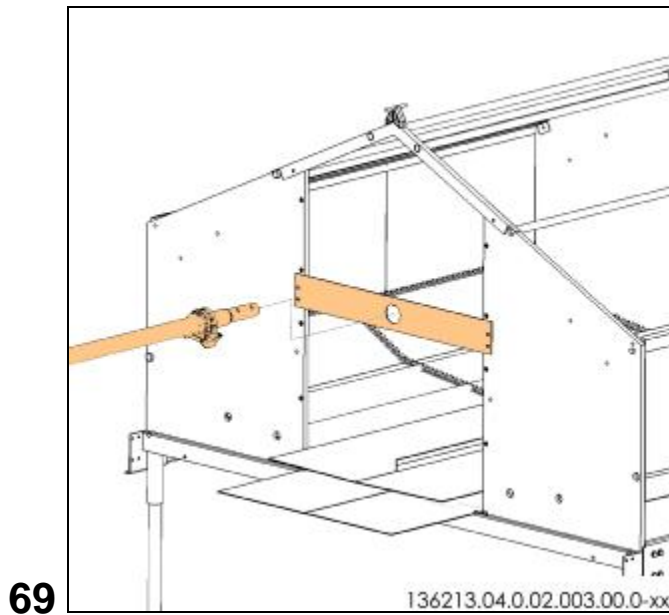
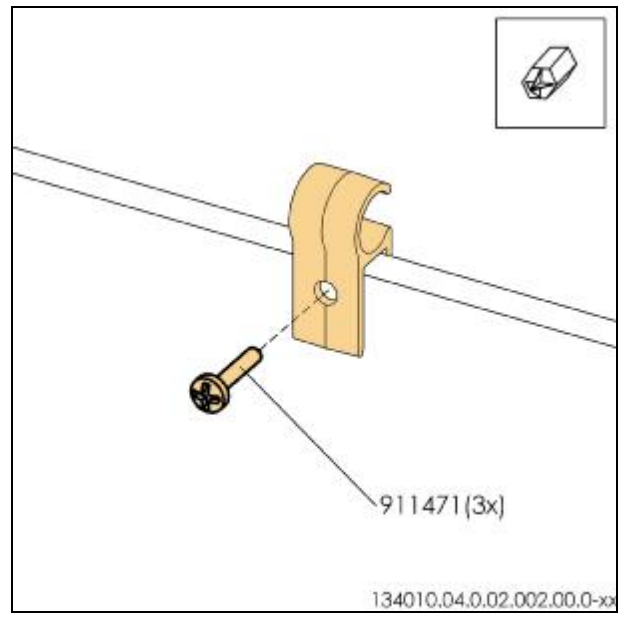
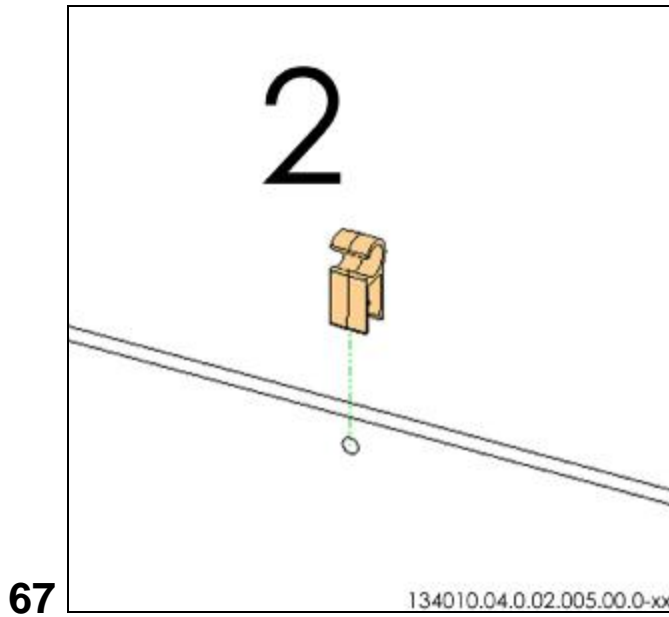


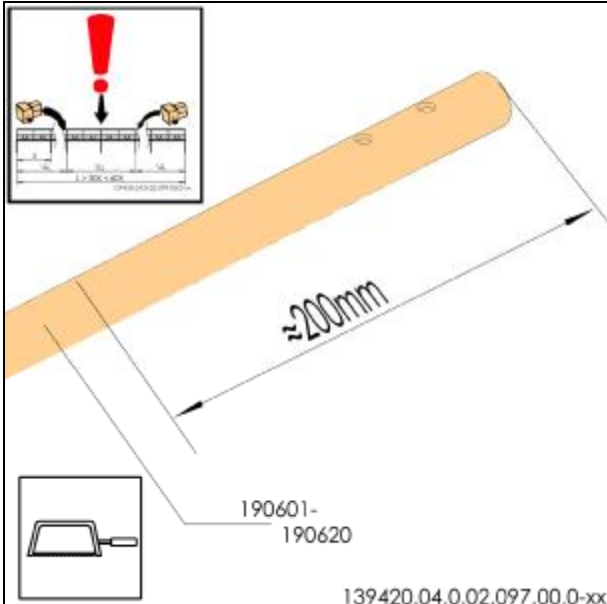
59



60

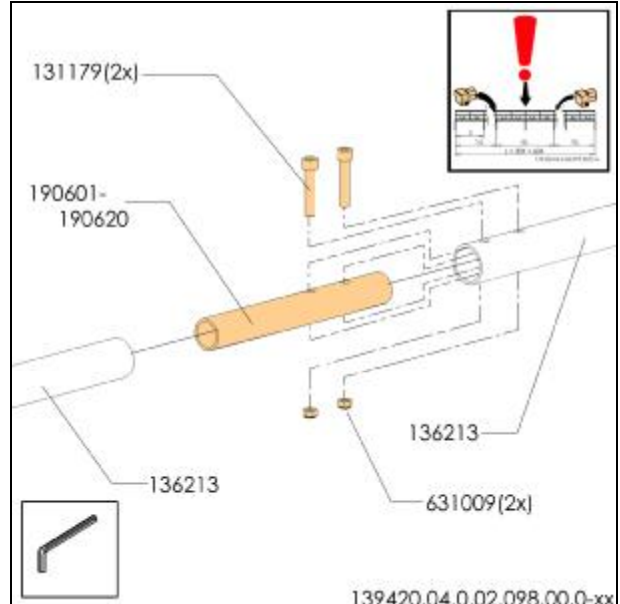






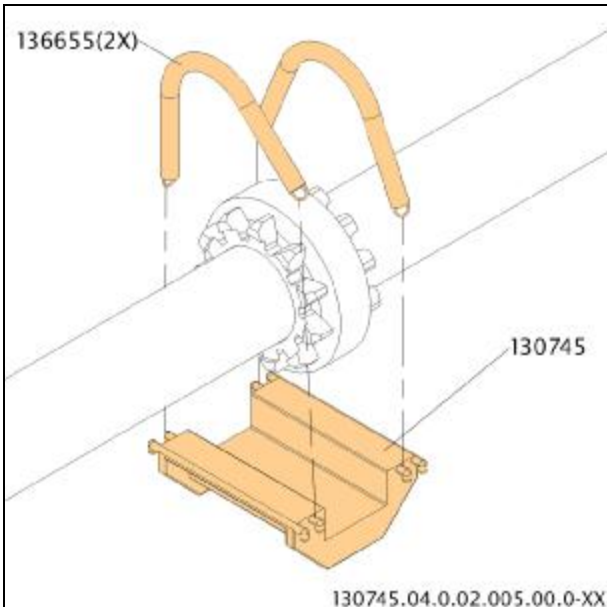
73

139420.04.0.02.097.00.0-xx



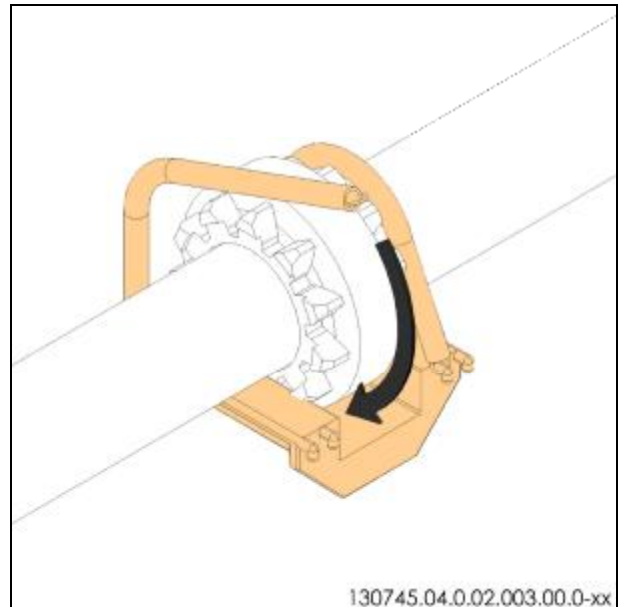
74

139420.04.0.02.098.00.0-xx



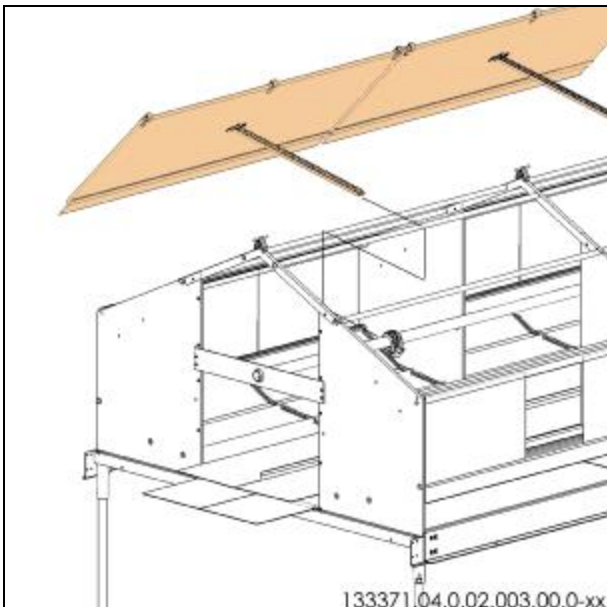
75

130745.04.0.02.005.00.0-XX



76

130745.04.0.02.003.00.0-xx



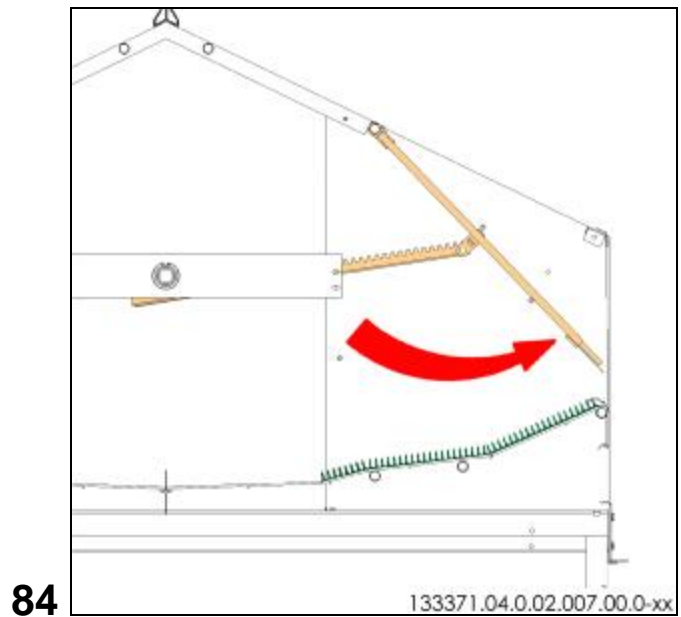
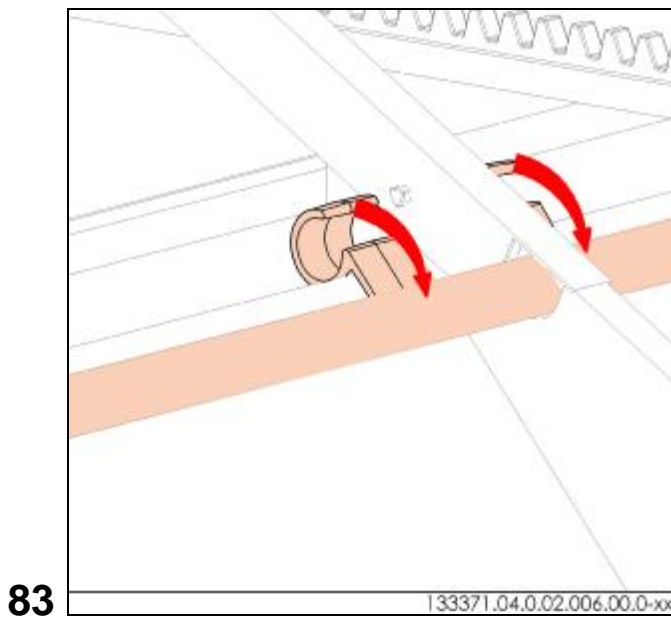
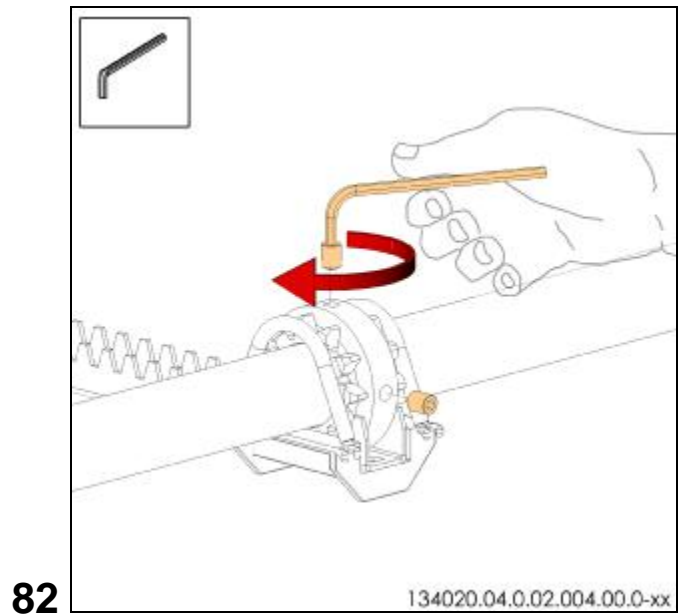
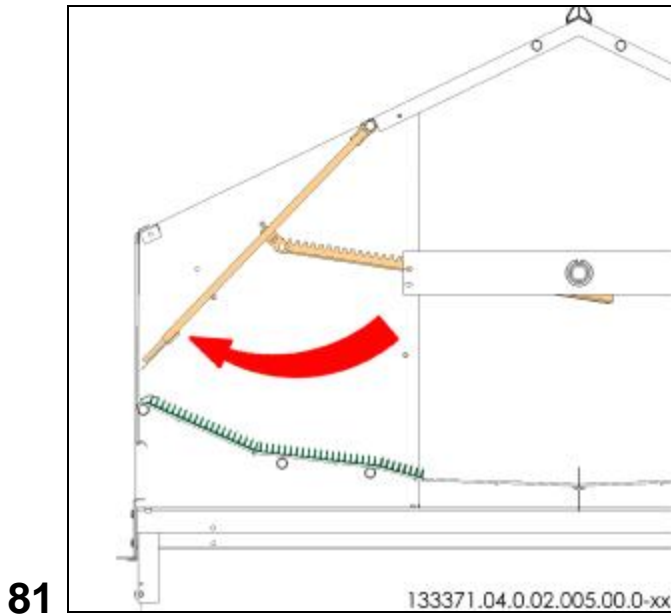
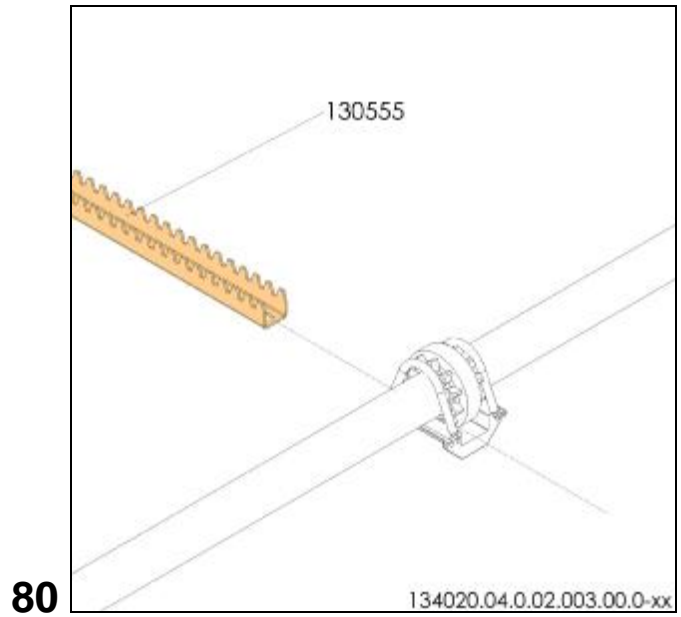
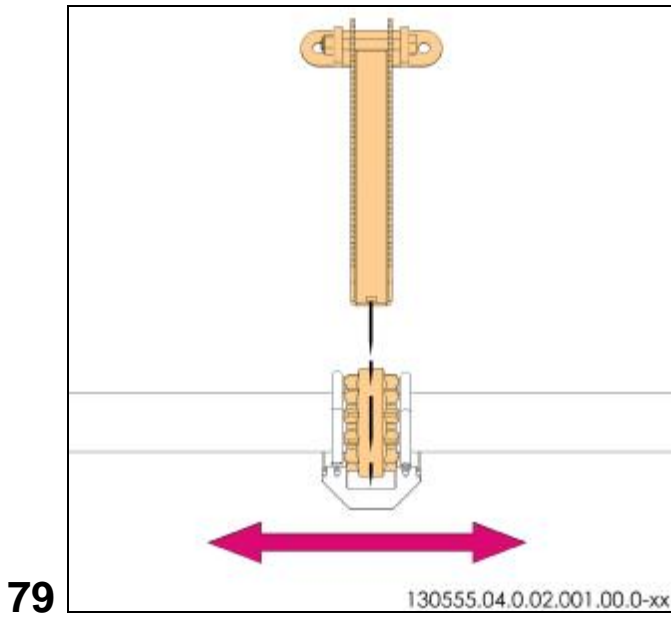
77

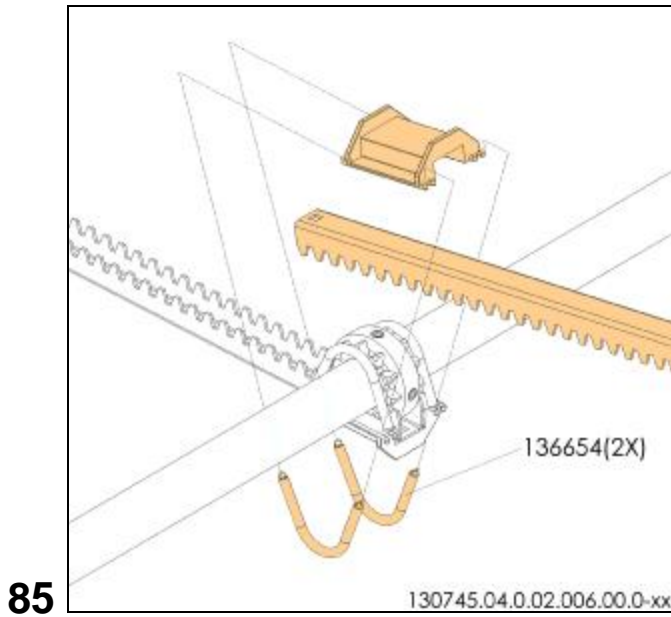
133371.04.0.02.003.00.0-xx



78

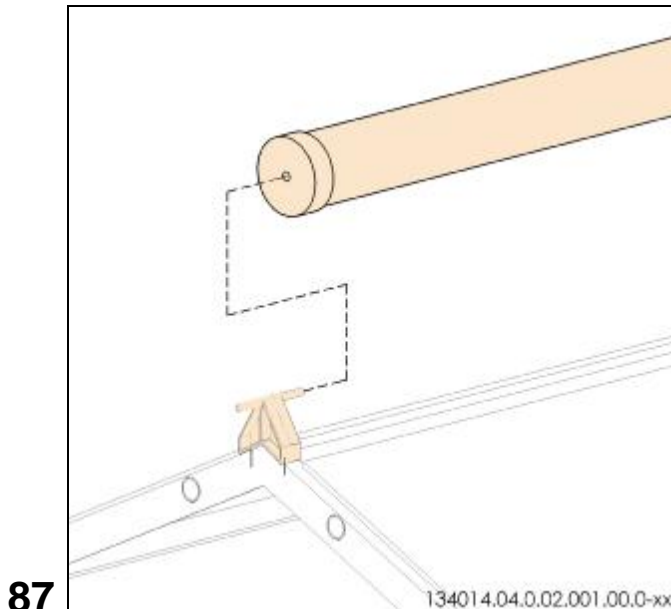
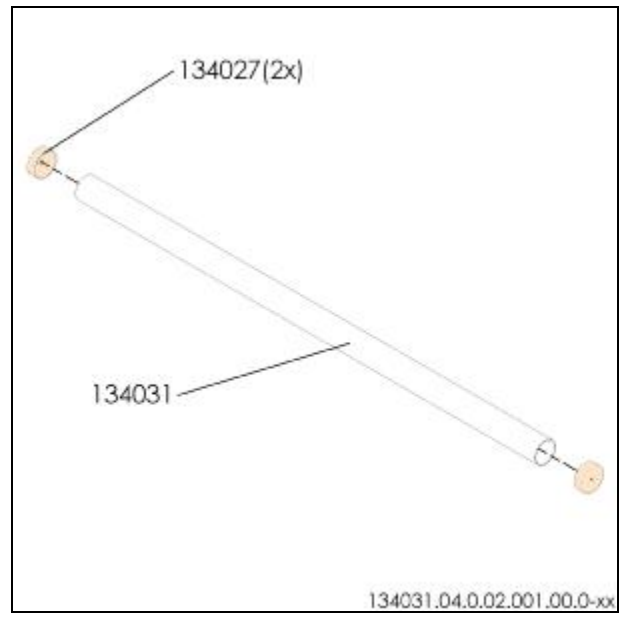
133371.04.0.02.004.00.0-xx





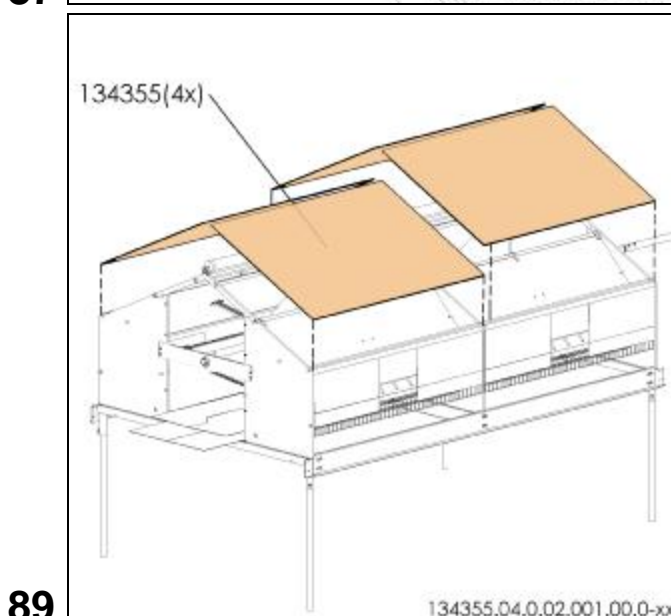
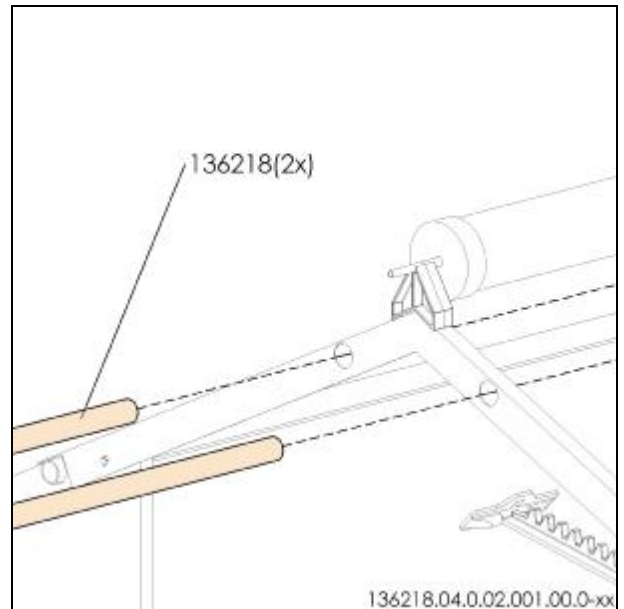
85

86



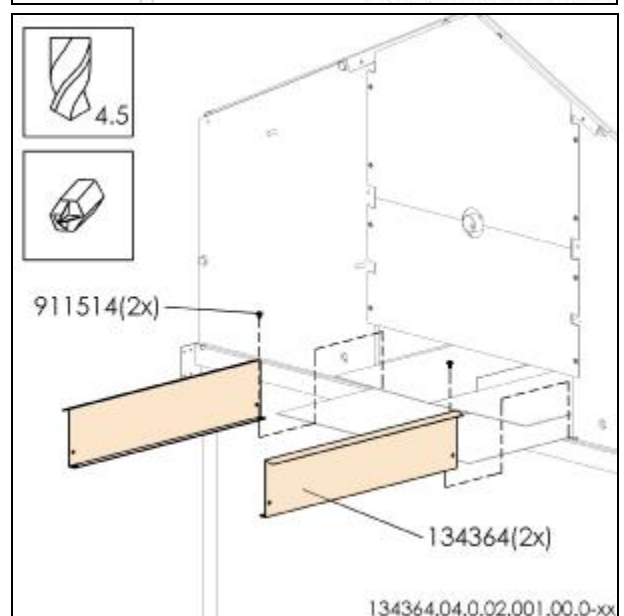
87

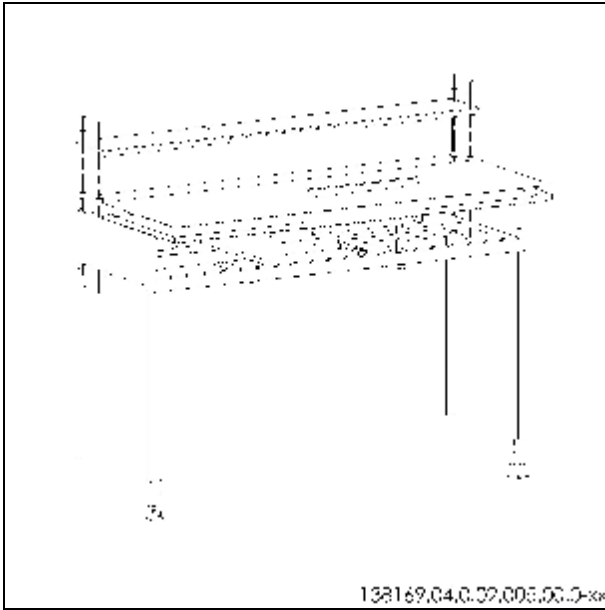
88



89

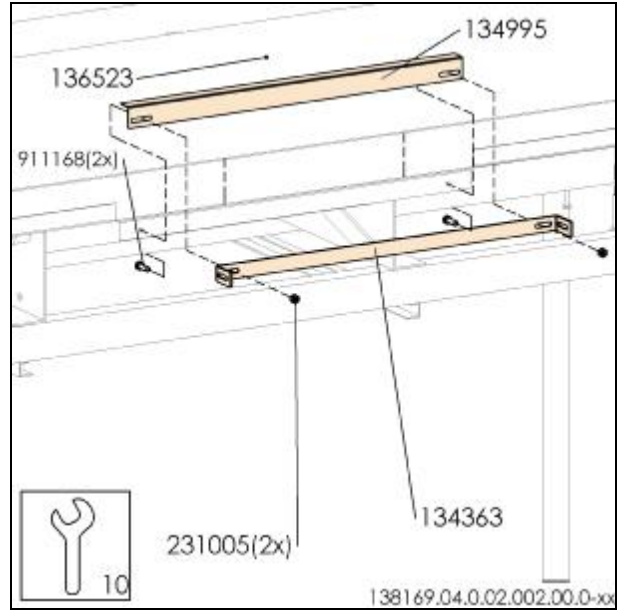
90





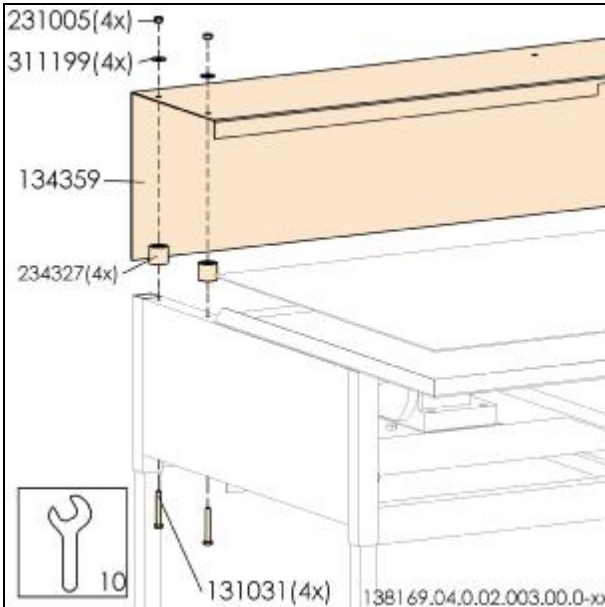
91

138169.04.0.02.001.00.0-xx



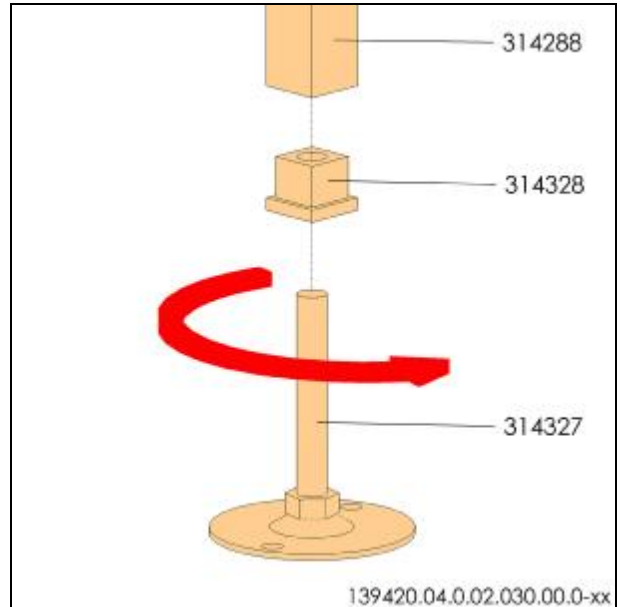
92

138169.04.0.02.002.00.0-xx



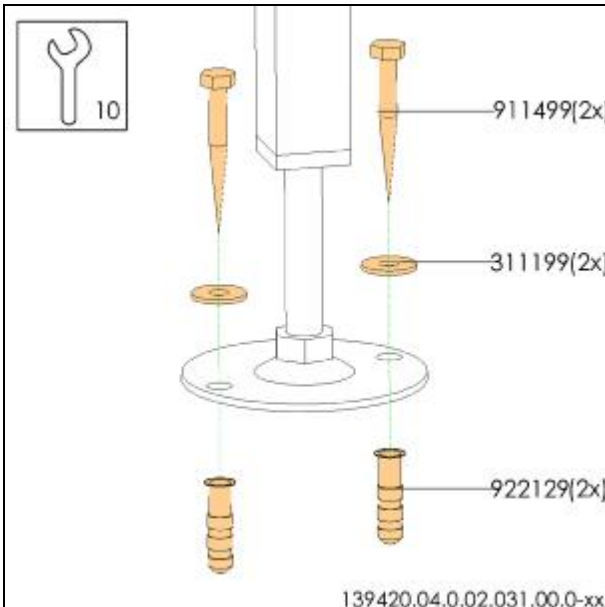
93

138169.04.0.02.003.00.0-xx



94

139420.04.0.02.030.00.0-xx



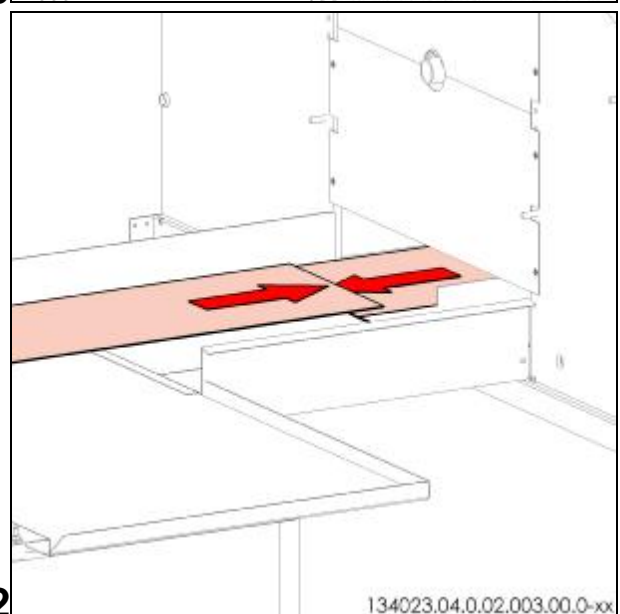
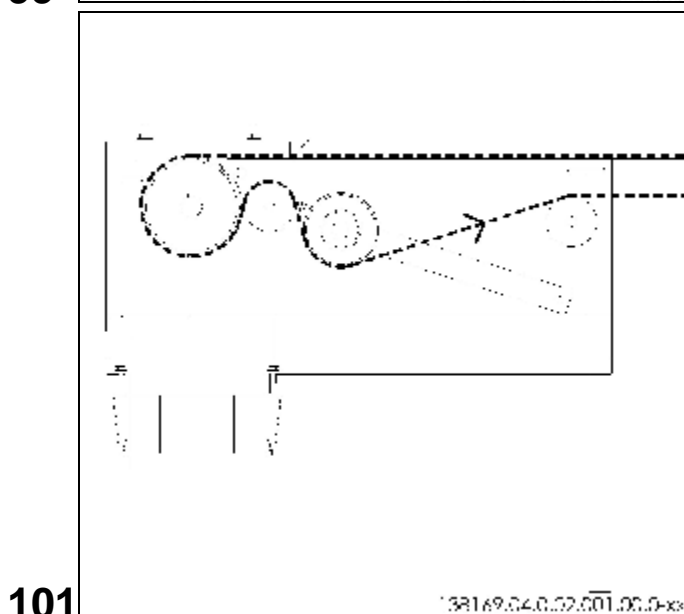
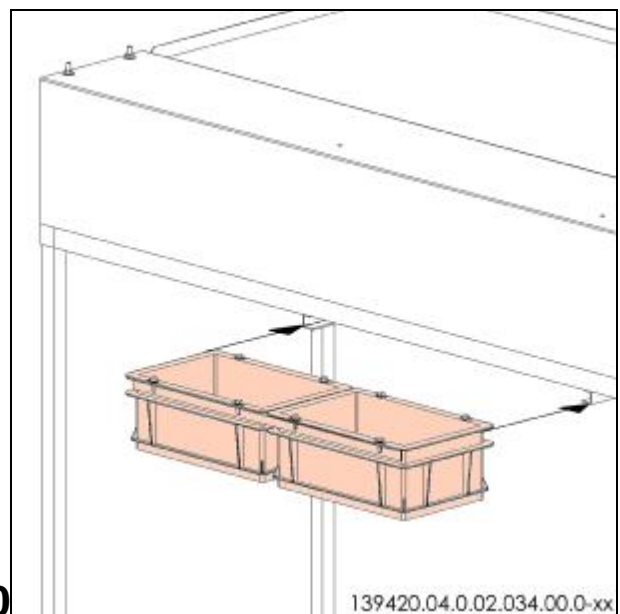
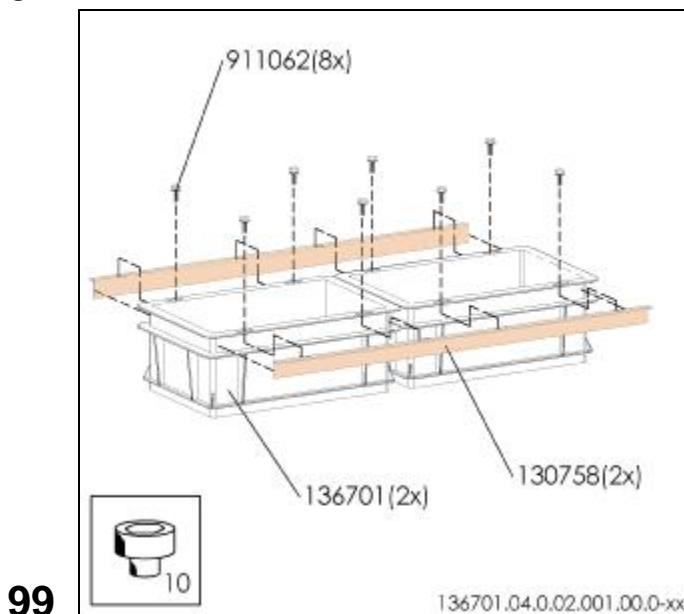
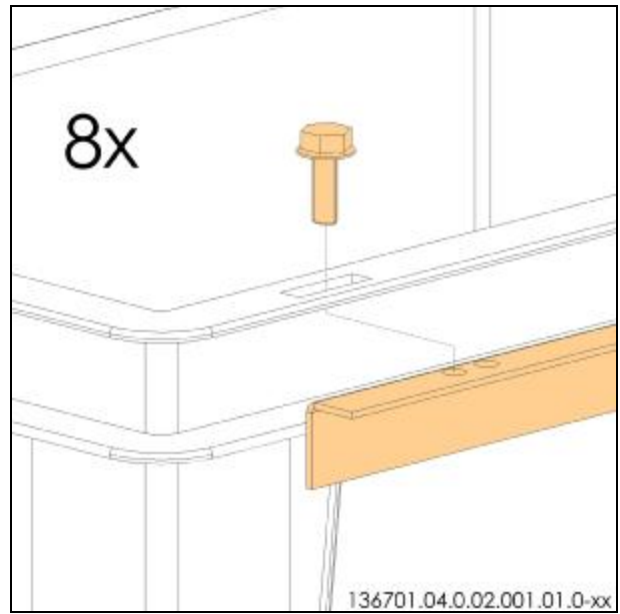
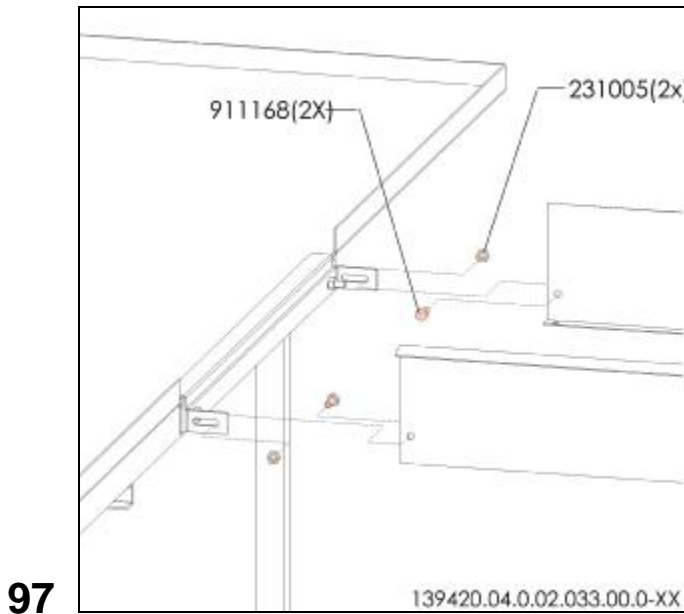
95

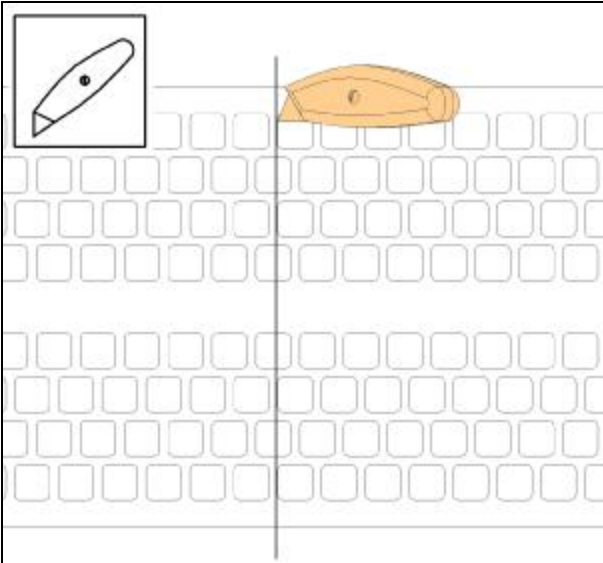
139420.04.0.02.031.00.0-xx



96

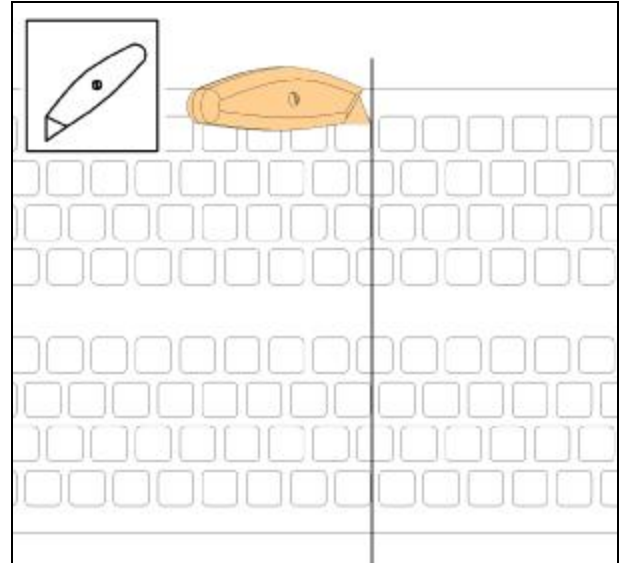
139420.04.0.02.032.00.0-xx





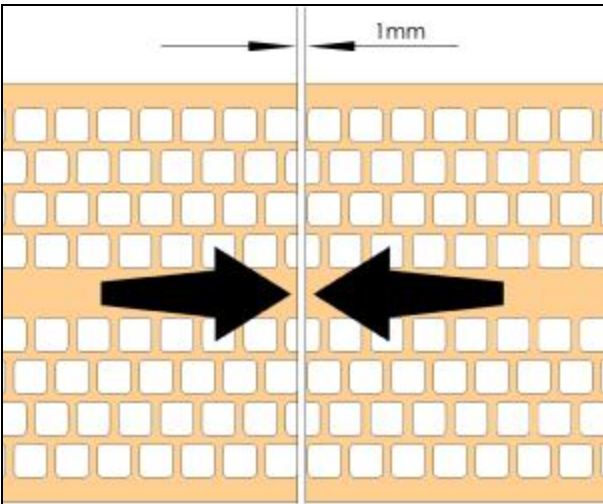
103

134023.04.0.02.004.01.0-xx



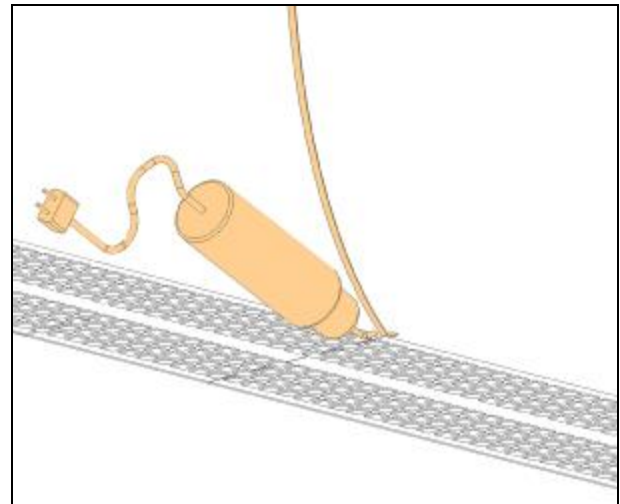
104

134023.04.0.02.004.02.0-xx



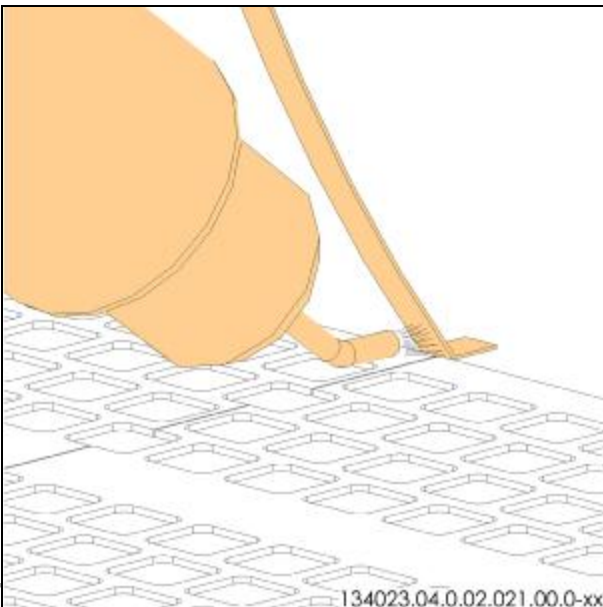
105

134023.04.0.02.004.03.0-xx



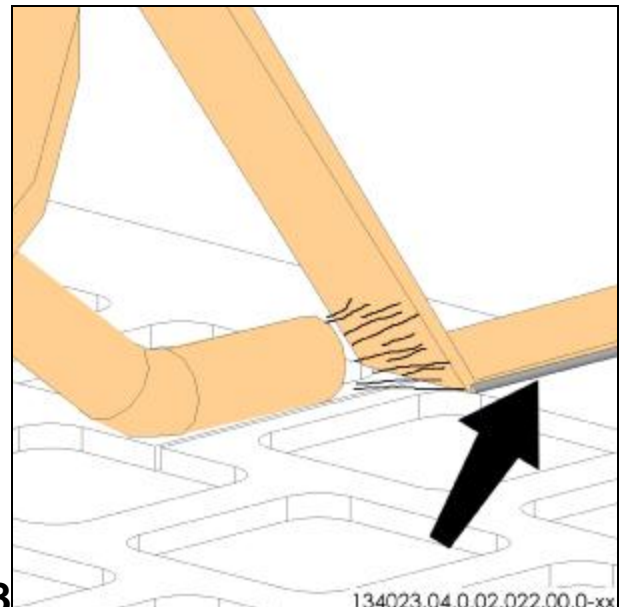
106

134023.04.0.02.020.00.0-xx



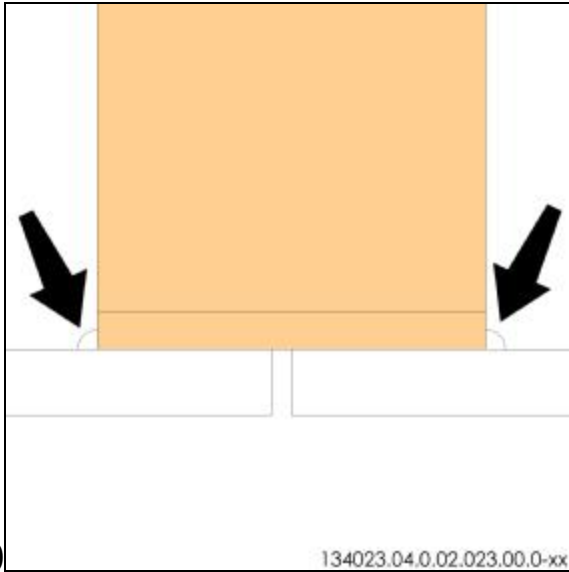
107

134023.04.0.02.021.00.0-xx



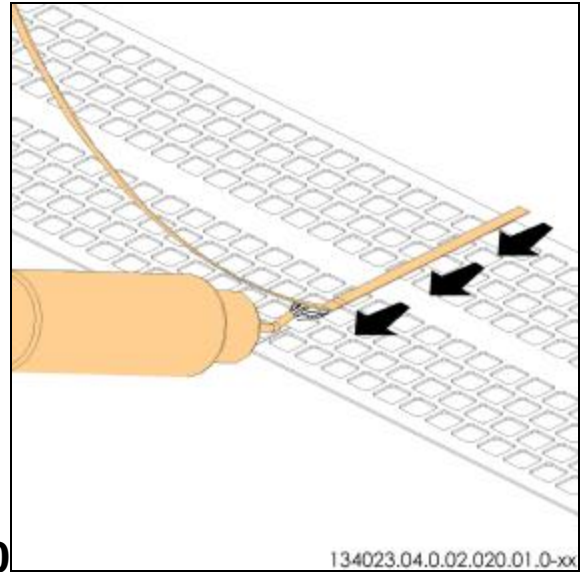
108

134023.04.0.02.022.00.0-xx



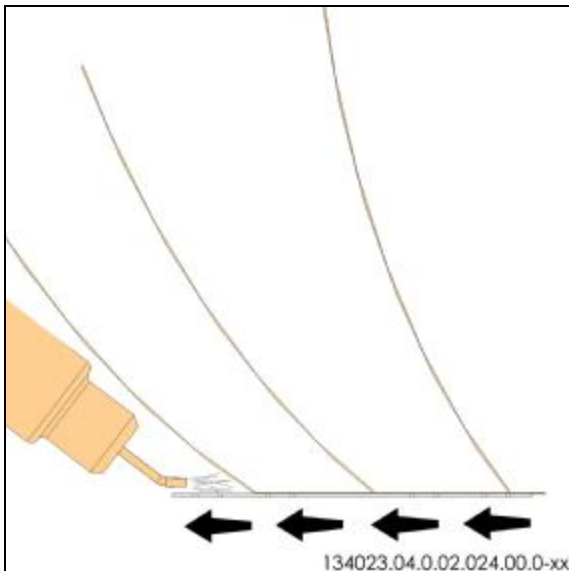
109

134023.04.0.02.023.00.0-xx



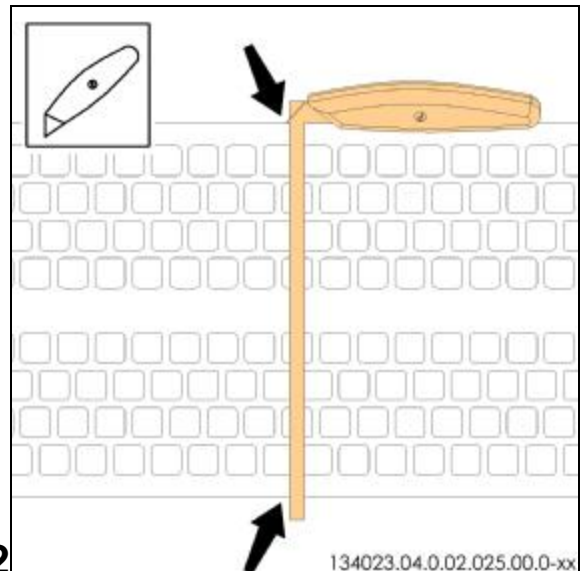
110

134023.04.0.02.020.01.0-xx



111

134023.04.0.02.024.00.0-xx



112

134023.04.0.02.025.00.0-xx

7 Index

€	
Easy nest	
description.....	10
A	
Authorized user	6
C	
Component.....	6
D	
Discard	7
Document codes.....	4
F	
Flock.....	6
I	
Icons.....	5
Identification of the system	7
Installation	14
preparing.....	13
L	
List of terms.....	6
M	
Machine	
discard	7
Modifications.....	8
P	
Packaging material	7
Preparations	13
Preparing safety regulations	13
Production label.....	7
S	
Safety instructions	8
Safety regulations	
preparing.....	13
Service	6
Stickers.....	8
Storage.....	12
Storage safety regulations	12
T	
Technical specifications.....	8
Technical support	6
Technician	
responsibilities	8
Technician	6
Transport.....	11
Transport safety regulations	11
Transportbandsysteem	6
U	
Unpack	13
User.....	6
responsibilities	8