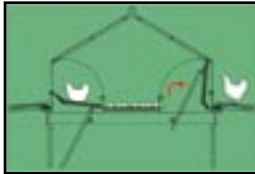


# Classic Centerbelt laying nest

## Automatic nest with moveable floor



The fully automatic nest systems of Vencomatic are the result of years of development and research. In particular, the main features Vencomatic have strived for are: optimising the egg-quality and egg production, reducing labour costs, a good health and well-being of the birds, and meeting the wishes of the customer.



The centerbelt nest is an automatic laying nest, especially designed for breeders. The nest has a perforated eggbelt at the back. It can be closed with the moveable, self-cleaning floor by means of a maintenance free gear rack.

### Some typical advantages of the Classic Centerbelt nest:

- Clean and hygienic eggs
- Good hatching egg quality
- Very few eggs outside the nest
- High durability
- Very low level of maintenance
- Less labour

### Some important advantages of the nest:

**Moveable floor:** The nest is closed and opened every day by means of the moveable floor and therefore no dirt remains on the nest floor. This gives a better egg quality, less chance for broodiness and a good egg production.

**Vencomat:** The floor is fitted with a Vencomat, a natural, rubber mat with a long operational life. It is easy to be cleaned and there is minimum contact with the egg.



The mat reduces cracked eggs and provides a smooth rolling of the eggs transportation from the nest to the egg belt.

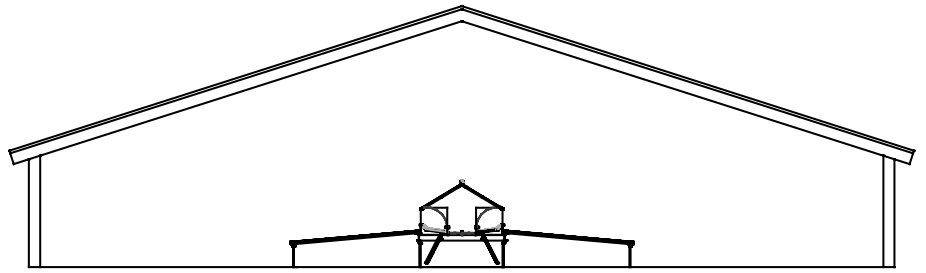
Other products associated this nest are the Vencoslat, an plastic slat, the Vencobelt, an egg transport system and the Prinzen farm packer, a simple egg packer.

**Vencomatic**<sup>®</sup>  
Vencomatic bv Netherlands  
Tel.: +31 (0) 497 517380  
[www.vencomatic.com](http://www.vencomatic.com)

Your local dealer is:

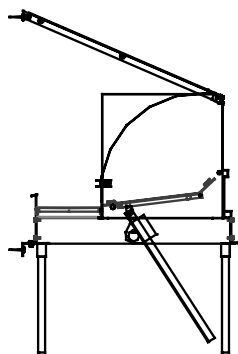
# Classic Centerbelt laying nest

Automatic nest with moveable floor

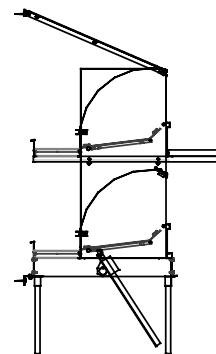


## Standard Specifications

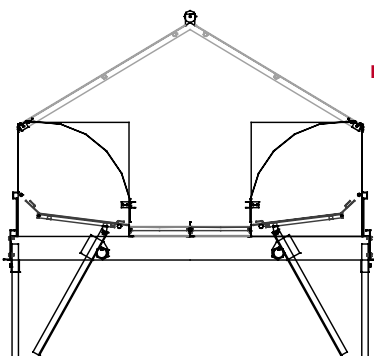
	<b>embn</b>	<b>2embn</b>	<b>mbn</b>	<b>2mbn</b>
	Single 1 tier nest (2 nestholes)	Single 2 tier nest (4 nestholes)	Double 1 tier nest (4 nestholes)	Double 2 tier nest (8 nestholes)
<b>Nest surface</b>	1,11m <sup>2</sup> /section	2,22m <sup>2</sup> /section	2,22m <sup>2</sup> /section	4,44m <sup>2</sup> /section
<b>Density</b> Broiler breeders Laying hens	85-110 birds 133 birds	190-210 birds 266 birds	190-210 birds 266 birds	380-420 birds 532 birds
<b>Weight</b>	71 kg/section	130 kg/section	130 kg/section	234 kg/section
<b>Egg belt width</b>	1x250 mm	2x250 mm	2x250 mm	4x250 mm
<b>Egg belt speed</b>	var. 0-4,7 m/min	var. 0-4,7 m/min	var. 0-4,7 m/min	var. 0-4,7 m/min



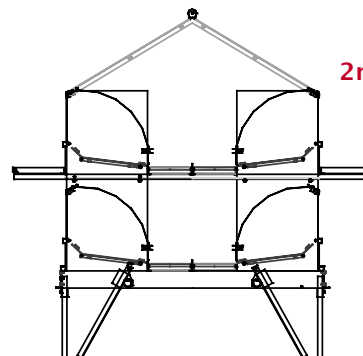
**embn**



**2embn**



**mbn**



**2mbn**